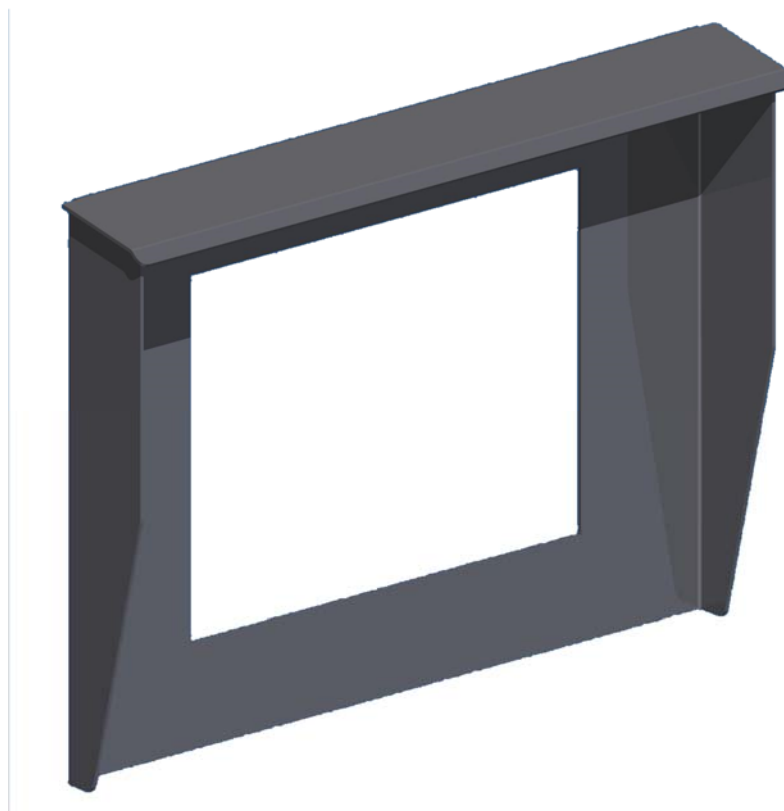


dametric 

PPC-SHx

DESCRIPTION



MOUNTING FRAME

FOR PPC-84Tx

CONTENT

1	GENERAL.....	2
2	SPECIFICATION.....	2
3	OUTLINE DRAWING	3
4	CABINET CUT-OUT DRAWING.....	3
5	PLACEMENT DRAWING.....	4
6	CONTACT.....	4

1 GENERAL

The PPC-SHx is used as a mounting frame for a Panel-PC used as a display for refiners equipped with the AGS gap sensor together with the RMS- or GMS- measuring system.

The frame is made of stainless steel and is mounted on the door of the cabinet.

Depending of the type of Panel-PC, there are several types of frames. Each frame has identical size and cut-out for the cabinet but different cut-outs for the Panel-PC.

If the Panel-PC has to be changed with another type, the mounting frame must also be changed.

PPC-SH1 is made for Axiomtek P1087. Panel-PC cut-out hole is 250*190 mm.

PPC-SH2 is made for Axiomtek P1840-265R. Panel-PC cut-out hole is 264*207 mm.

PPC-SH3 is made for Axiomtek P3840. Panel-PC cut-out hole is 261*181 mm.

2 SPECIFICATION

Valmet Paper art. no.: PPC-SH1: VAL0255833

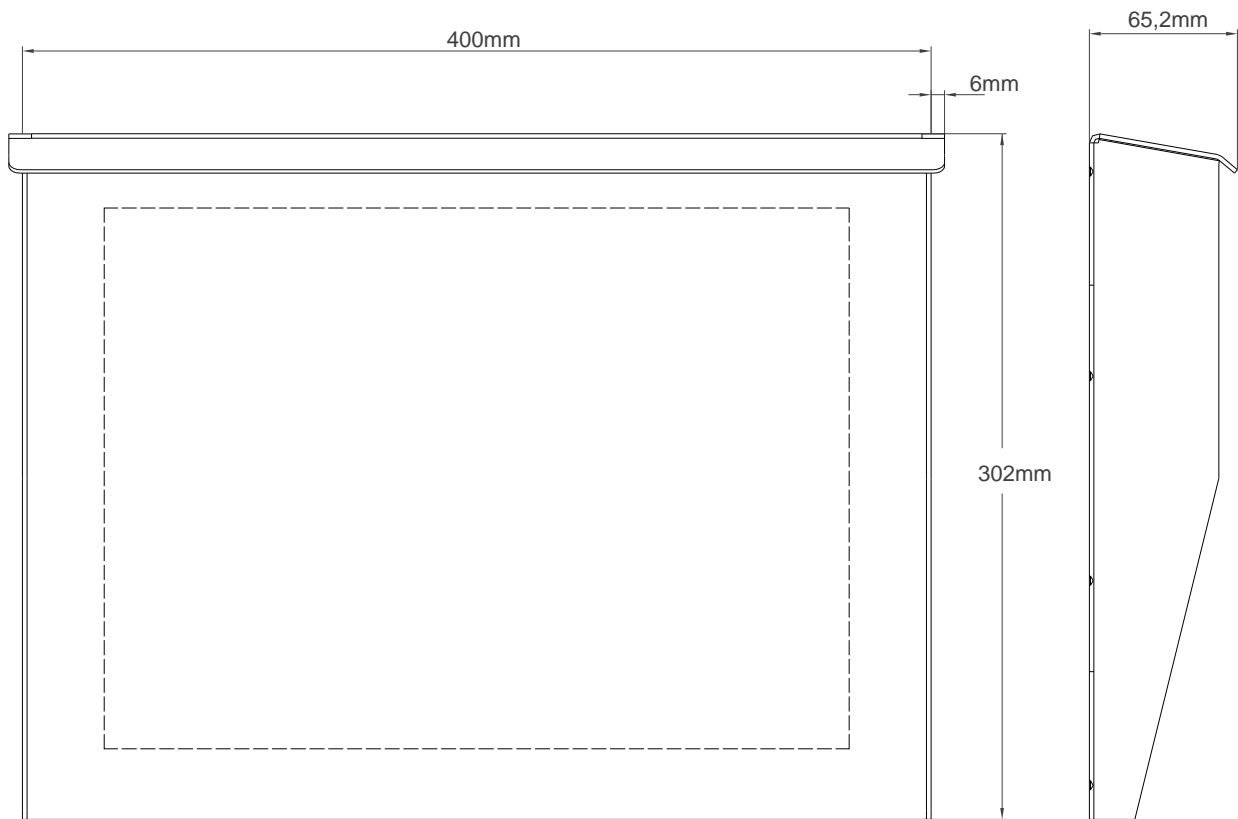
PPC-SH2: VAL0255834

PPC-SH3: VAL0256102

Material: Stainless steel, EN 1.4301 (SS 2333)

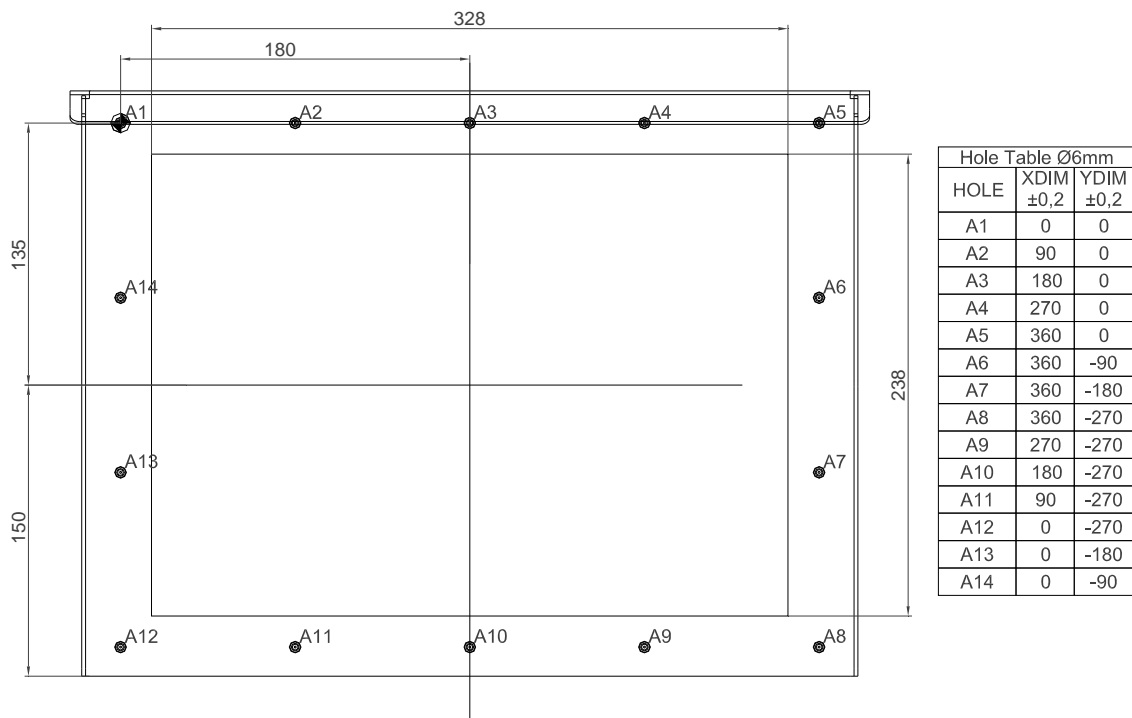
Thickness: 2.0mm

3 OUTLINE DRAWING



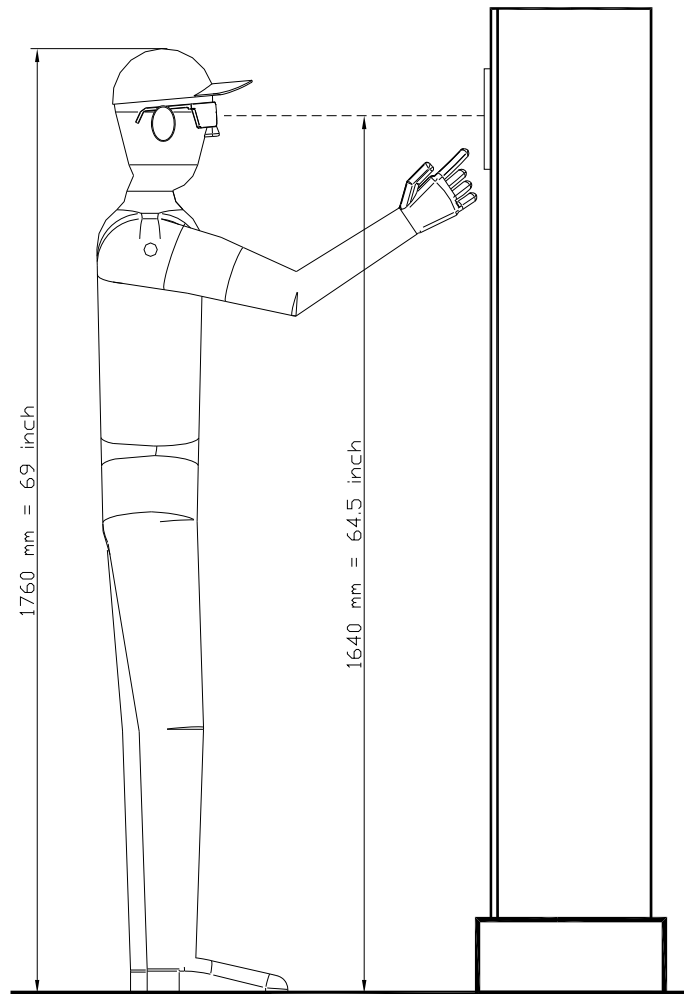
4 CABINET CUT-OUT DRAWING

Seen from the front side.



5 PLACEMENT DRAWING

Mount the centre of the frame according to the drawing to simplify reading and activating the push-buttons on the display of the Panel-PC.



6 CONTACT

Sales, development, production and service:

Dametric AB

Jägerhorns Väg 19, SE-141 75 Kungens Kurva, Sweden

Phone: +46-8 556 477 00

Telefax: +46-8 556 477 29

E-Mail: service@dametric.se

Website: www.dametric.se

dametric 

Valmet 