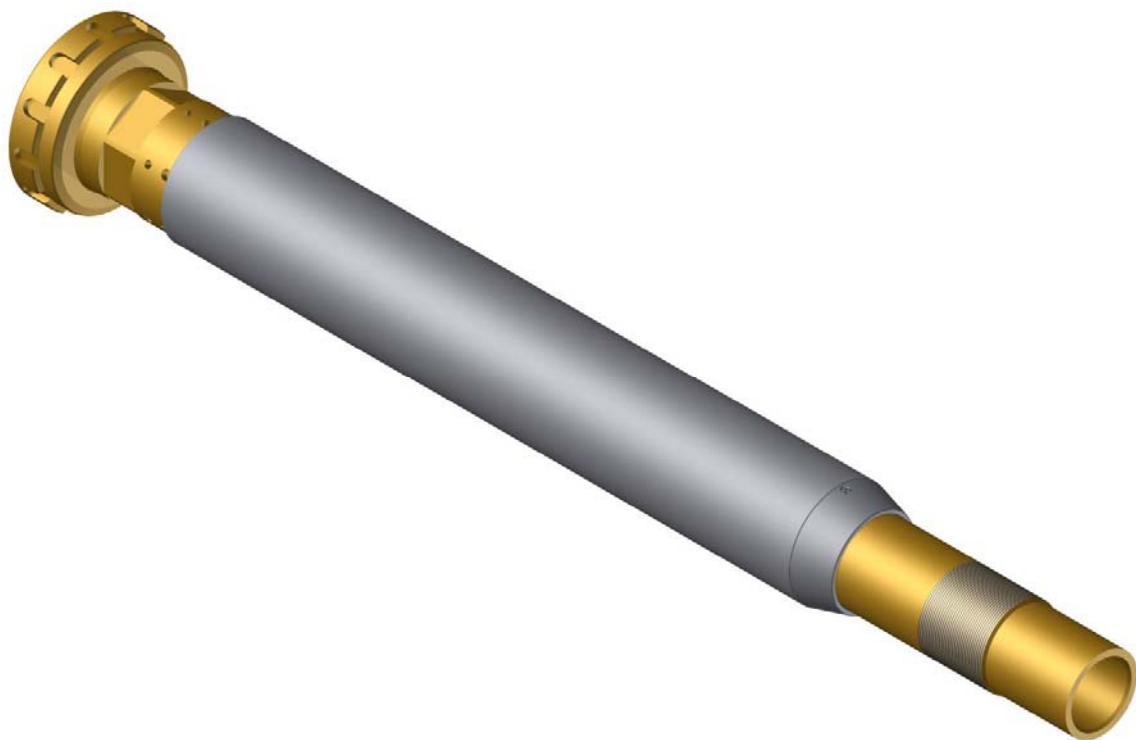


dametrix 

# AGS-SP-I76S-H

**HOLDER PART TO THE AGS-I76S SENSOR**



## DESCRIPTION

Valmet 

## 1 GENERAL

The holder part of the AGS will mechanically fit the AGS-house to the refiner stator plate. There are several types of holders for different lengths, threads and sealing. The AGS-SP-I76S-H will fit the flat zone AGS in a Metso RGP-76/82 CD refiner.

The holder is included in a new AGS sensor but can also be bought as a spare part. The holder is replaced if the thread is destroyed, if the sealing surface is uneven or if the contact surface to the segment plate is bad.

## 2 SEALING

This type of holder includes no sealing; the part is instead sealed with a special sealing washer mounted on the stator plate.

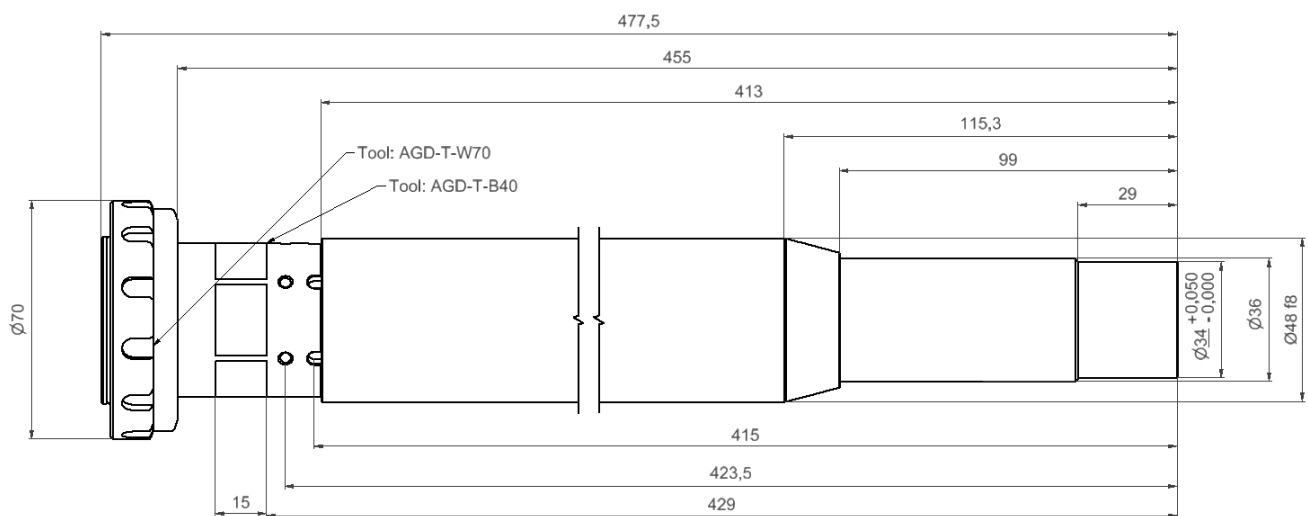
## 3 MOUNTING

The holder is mounted directly to the AGS house (AGD-HM3 or AGS-HM-H4) and the sensor tip must be mounted afterwards.

Unscrew the locking nut, mount the holder and then put the locking nut back on again.

The locking nut shall always be tightened; the unit includes ball-bearings to assure that the holder can be rotated when mounting the AGS sensor to the refiner.

## 4 OUTLINE DRAWING



## 5 VALMET PART NO.

Valmet part no.: VAL0320617.

## 6 CONTACT

Sales, development, production and service:

### Dametric AB

Jägerhorns Väg 19, SE 141 75 Kungens Kurva, Sweden

Phone: +46-8 556 477 00

Telefax: +46-8 556 477 29

E-Mail: [service@dametric.se](mailto:service@dametric.se)

Website: [www.dametric.se](http://www.dametric.se)

dametric 

Valmet 