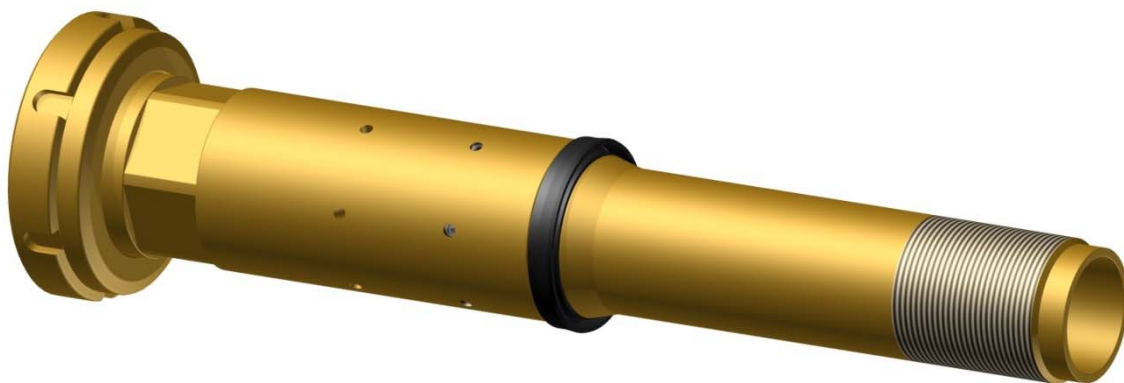


dametric 

AGS-SP-SD65-H

HOLDER PART OF THE AGS-SD65 SENSOR



DESCRIPTION

Valmet 

1 GENERAL

The holder part of the AGS will mechanically fit the AGS-house to the refiner stator plate.

There are several types of holders for different lengths, threads and sealing.

The AGS-SP-SD65-H will fit the AGS in the Valmet type SD-65 refiner.

The holder is included in a new AGS sensor but can also be bought as a spare part. The holder is replaced if the thread is damaged, if the sealing surface has become damaged or if the contact surface to the segment plate is damaged.

2 SEALING

The inside of the holder is used as a sealing surface to the sensor tip. Special precaution must be used when cleaning the inside surfaces – use only a soft cloth.

3 MOUNTING

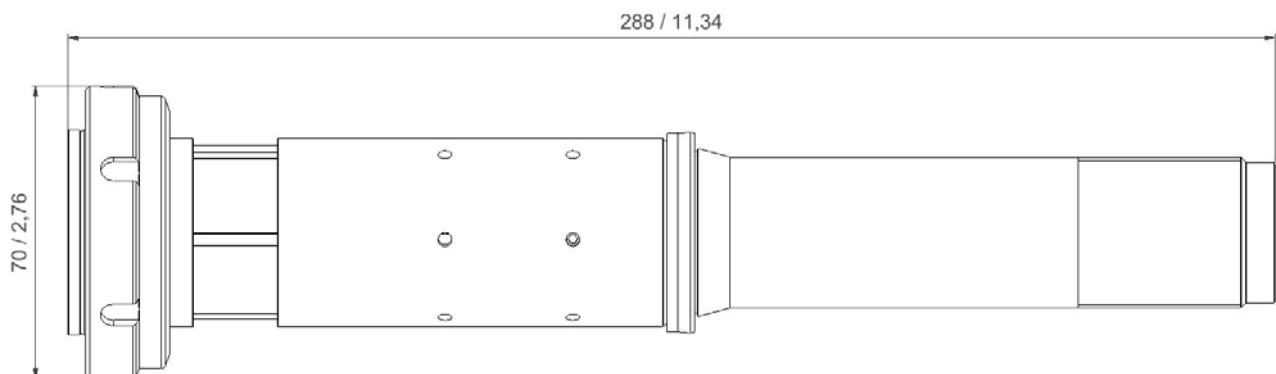
The holder is mounted directly to the AGS house (AGS-HM-H1) and the sensor tip must be mounted afterwards. Use the 'Holder exchange' wizard on the Panel-PC to mount or dismount the holder and tip. The locking nut shall always be fully tightened except when to change the holder or if to thread the sensor into the stator a long distance.

Make sure to tighten the locking nut when the AGS is mounted completely.

4 VALMET PART NO.

VAL0293942.

5 OUTLINE DRAWING



6 CONTACT

Sales, development, production and service:

Dametric AB

Jägerhorns Väg 19, 141 75 Kungens Kurva, Sweden

Phone: +46-8 556 477 00

e-mail: service@dametric.se

Telefax: +46-8 556 477 29

Web site: www.dametric.se

dametric 

Valmet 