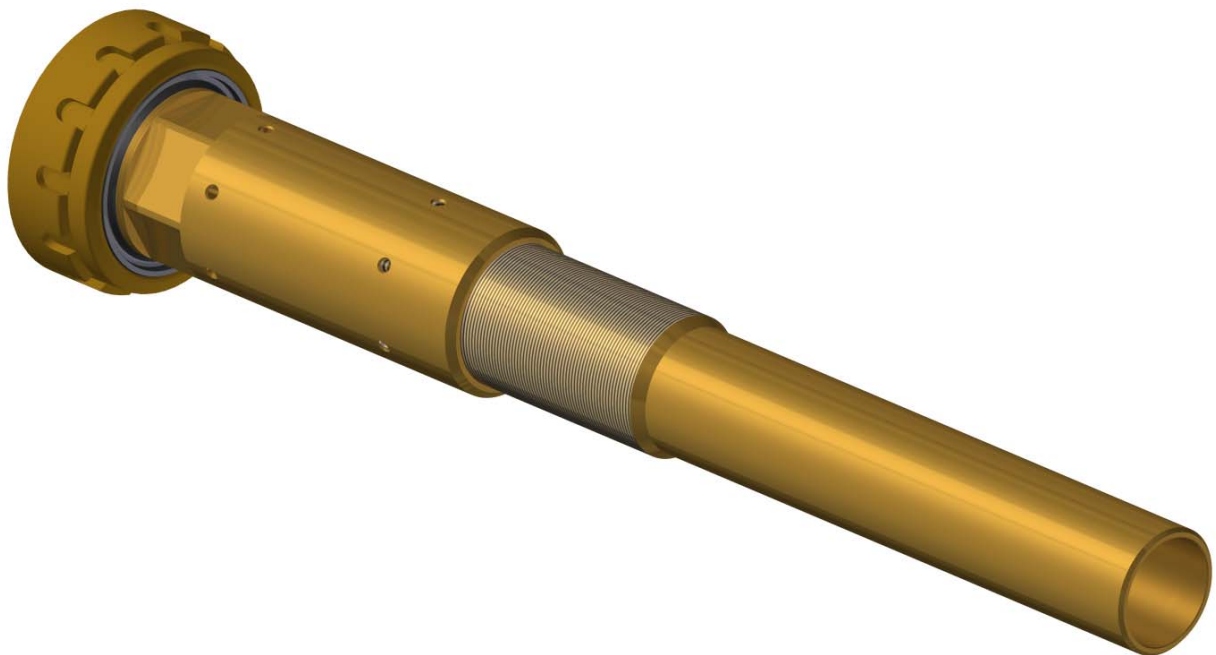


dametric 

# AGS-SP-S2KS-H

## AGS HOLDER FOR THE AGS-S2KS SENSOR

### DESCRIPTION



Valmet 

## 1 GENERAL

The holder part of the AGS will mechanically fit the AGS-house to the refiner stator plate.

There are several types of holders for different lengths, threads and sealing.

The AGS-SP-S2KS-H will fit the AGS in an Andritz S2070 refiner.

The holder is included in a new AGS sensor but can also be bought as a spare part. The holder is replaced if the thread is damaged, if the sealing surface has become damaged or if the contact surface to the segment plate is damaged.

## 2 SEALING

The inside of the holder is used as a sealing surface to the sealing on the sensor tip. Special precaution must be used when cleaning the inside surfaces – use only a soft cloth.

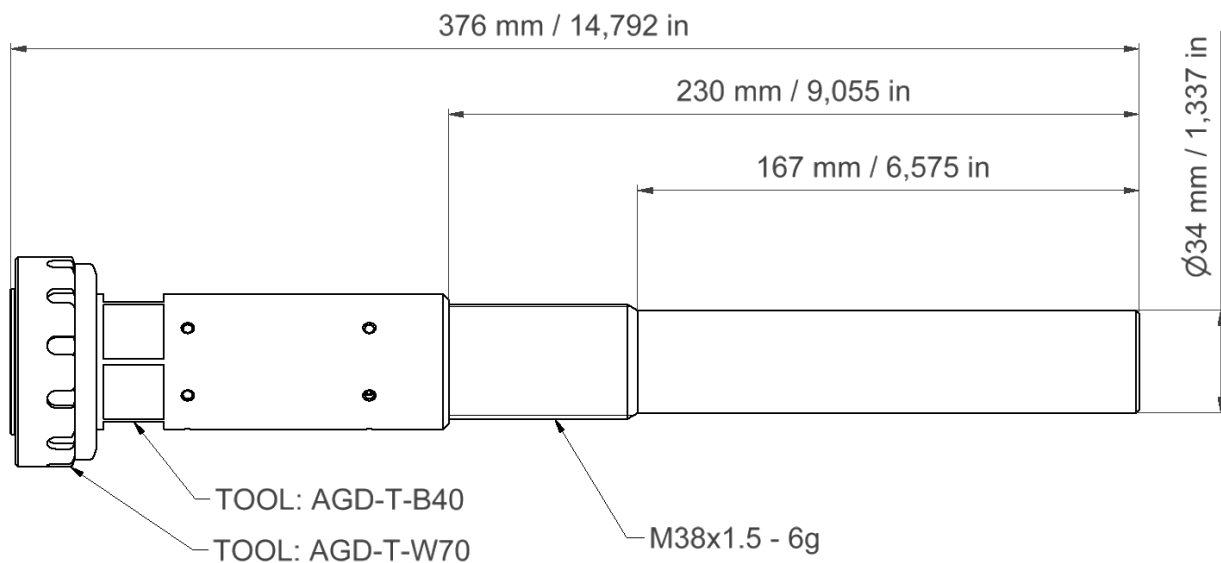
## 3 MOUNTING

The holder is mounted directly to the AGS house and the sensor tip must be mounted afterwards. Attached radial seal and retaining ring is replaced every holder exchange.

Use the 'Holder exchange' wizard on the Panel-PC to mount or dismount the holder and tip.

Tight the locking nut when the AGS sensor is tightened toward the refiner plates.

## 4 OUTLINE DRAWING



## 5 VALMET PART NO

VAL0337721.

## 6 CONTACT

Sales, development, production and service:

### Dametric AB

Jägerhorns Väg 19, 141 75 Kungens Kurva, Sweden

Phone: +46-8 556 477 00

e-mail: [ags@dametric.se](mailto:ags@dametric.se)

Telefax: +46-8 556 477 29

Web site: [www.dametric.se](http://www.dametric.se)

dametric 

Valmet 