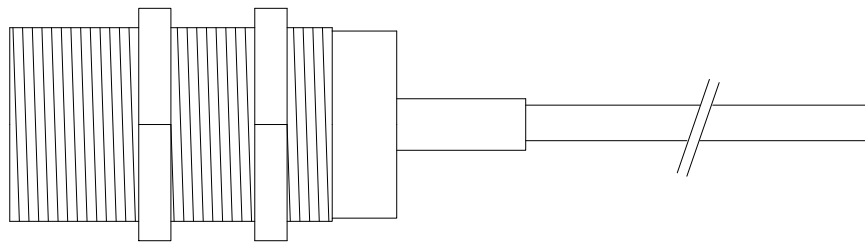


dametric 

## IG-30

VAL0122851 / SKC9069808



INDUCTIVE TRANSDUCER  
FOR THE SAFESET MONITOR  
USERS MANUAL

Valmet 

CONTENTS

1 OUTLINE DRAWING ..... 2

2 TECHNICAL SPECIFICATION..... 2

3 MOUNTING INSTRUCTION..... 3

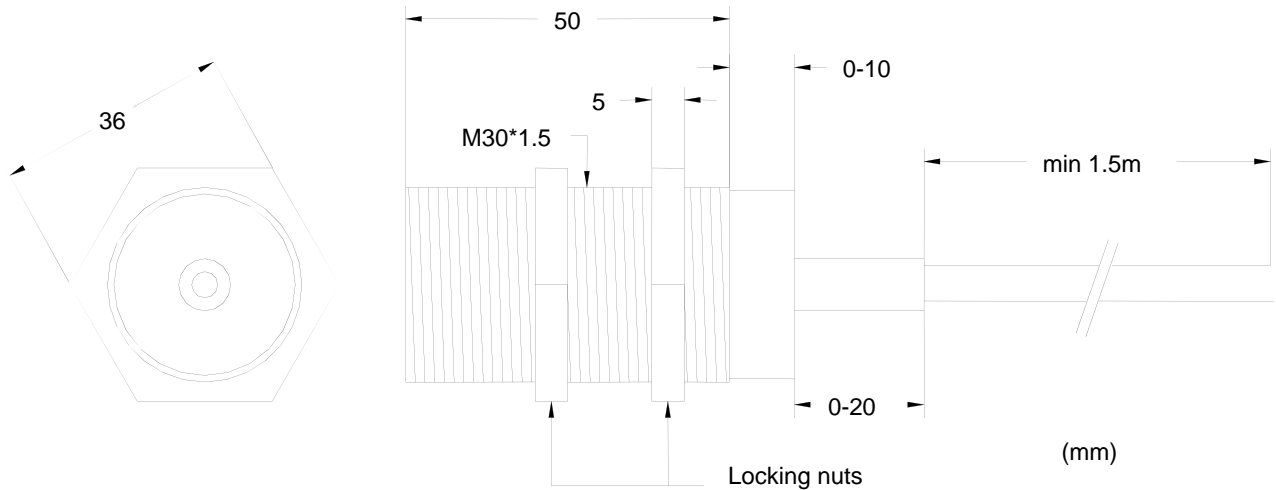
    3.1 INDEX ..... 3

    3.2 TRANSDUCER..... 3

4 CONNECTION DIAGRAM..... 4

5 CONTACT ..... 4

**1 OUTLINE DRAWING**



**2 TECHNICAL SPECIFICATION**

Article no: IG-30 / VAL0122851 / SKC9069808

Measuring length: 10 mm

Connector: 3-lead cable. Connect to KB-01 box.

Weight: 0.1 kg

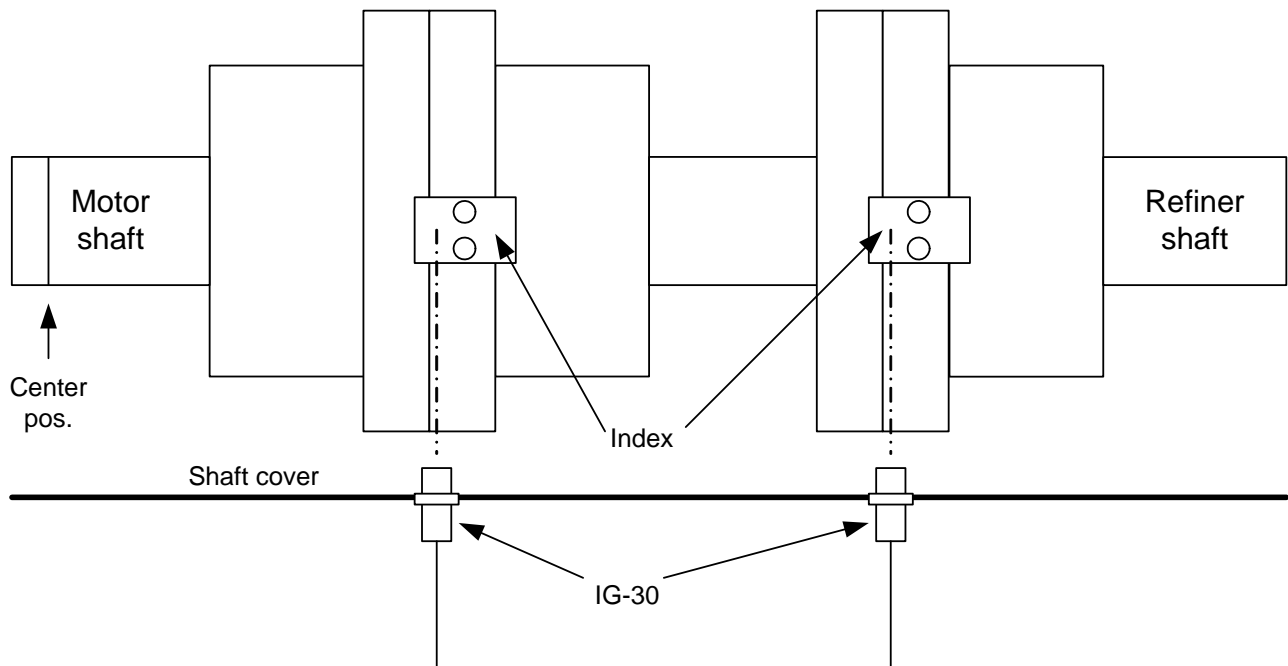
### 3 MOUNTING INSTRUCTION

#### 3.1 INDEX

Mount the index brackets to the coupling. The bolts and the index must be made of ferromagnetic material.

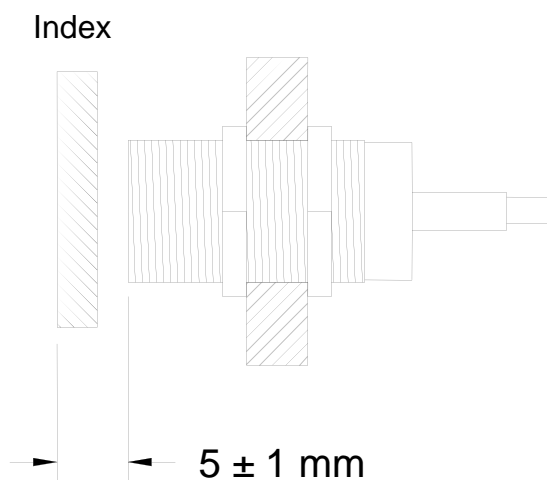
#### 3.2 TRANSDUCER

Mount the transducers in the lower cover of the shaft, pointing at the index. The mid-point of the allowed axial shaft movement, must be considerate before the axial position of the sensors is determined. Adjust the sensors to a point half way between the mounting bolts and the edge of the index.



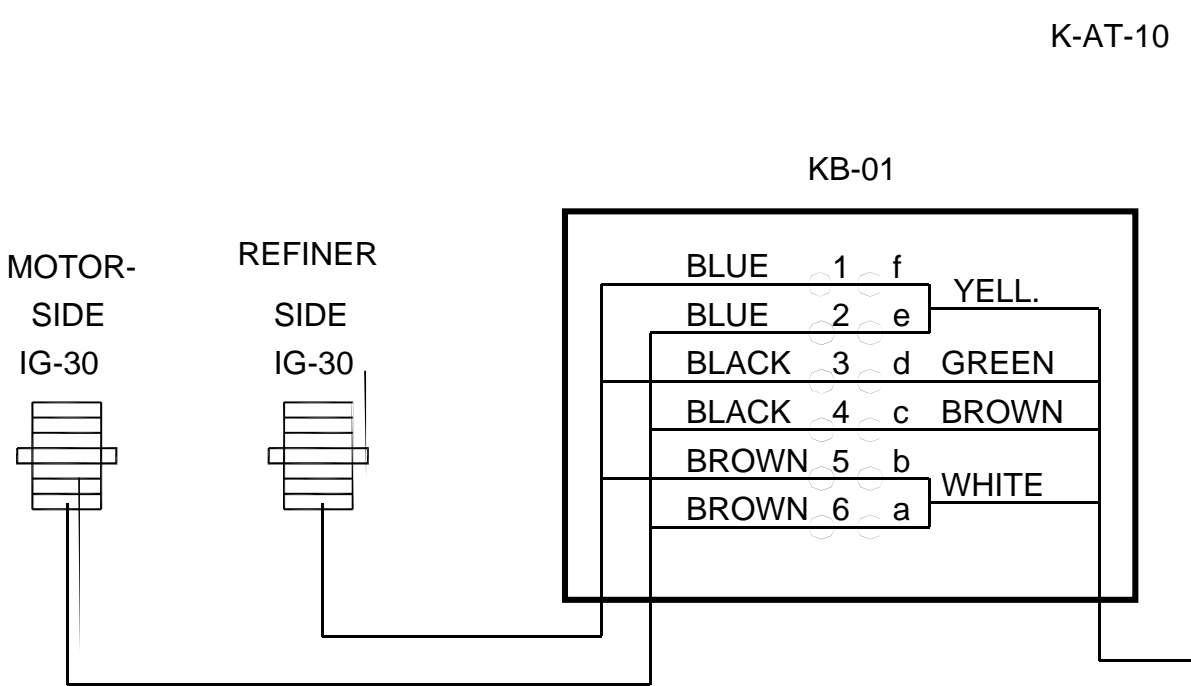
Adjust the radial distance to  $5 \pm 1$  mm.

Note. Check the adjustment of the sensors if the lower cover has been removed.



**4 CONNECTION DIAGRAM**

Connect the cables to the KB-01 connection box.



**5 CONTACT**

Sales, development, production and service:

**Dametric AB**

Jägerhorns Väg 19, SE 141 75 Kungens Kurva, Sweden  
 Phone: +46-8 556 477 00      Telefax: +46-8 556 477 29  
 E-Mail: [service@dametric.se](mailto:service@dametric.se)      Website: [www.dametric.se](http://www.dametric.se)

