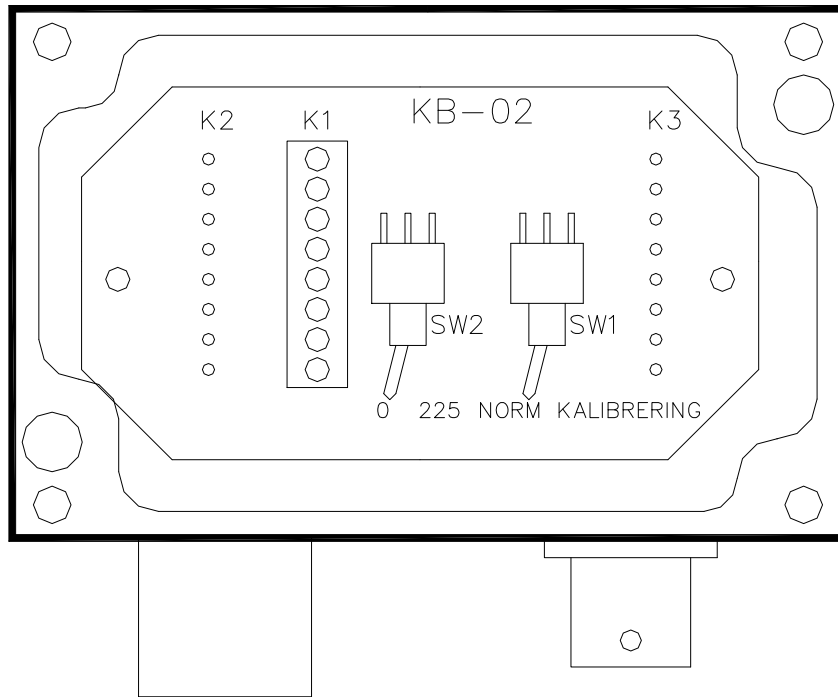




# KB-02

VAL0122853 / SKC8528618



## CABLE BOX FOR TDC DESCRIPTION



### 1. DESCRIPTION

The unit is used to joint the static mounted 30 metre cable, to the movable 3 metre cable K-GT. The K-F2T cable is connected to an 8-pole screw connector, while the K-GT cable is connected to a 7-pole bayonet contact.

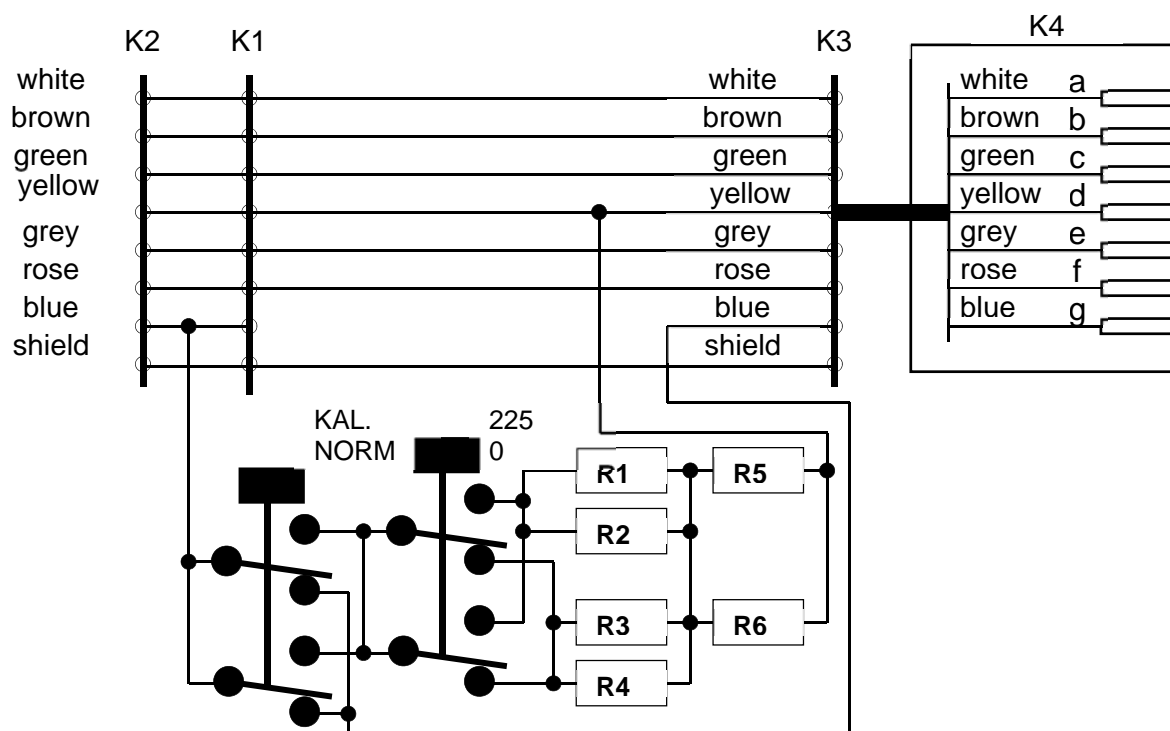
The printed board inside the cover includes 2 switches and some high precision resistors which are used for the calibration of the DTM-unit.

The SW1-switch should normally be in the "NORM" position and SW2 in the "0" position.

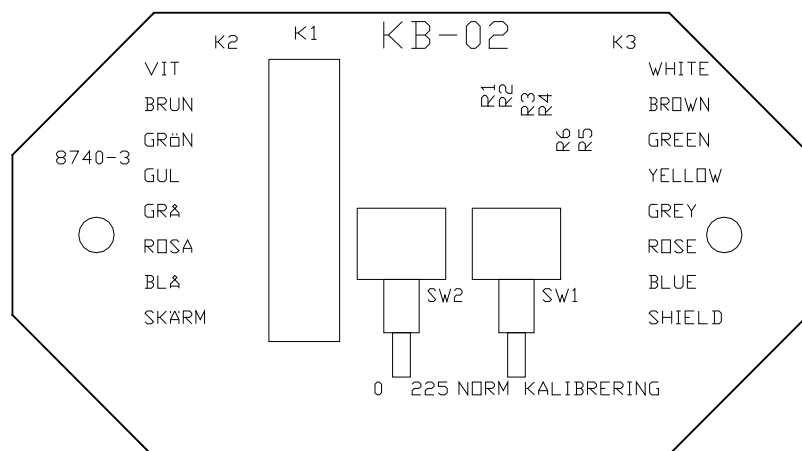
The calibration procedure is described in the chapter CAL-SD, CAL-DD or CAL-CD depending on which system used.

In a new model from April 1997, the plastic box has been replaced by a shielded metal box. This box has a different size and the drawing is shown on page 4.

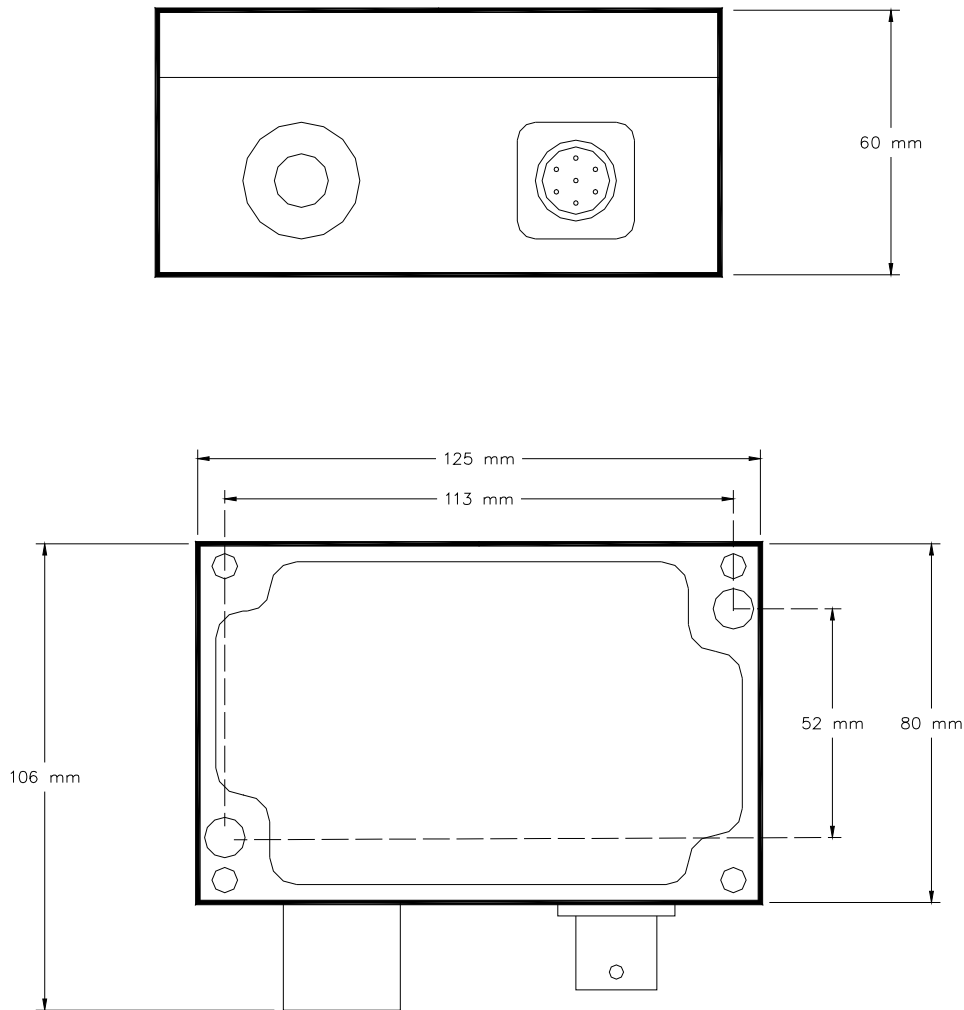
### 2. CIRCUIT DIAGRAM



### 3. PLACEMENT OF COMPONENTS



#### 4. OUTLINE DRAWING



#### 5. CONTACT

Sales, development, production and service:

##### **Dametric AB**

Jägerhorns Väg 19, SE-141 75 Kungens Kurva, Sweden

Phone: +46-8 556 477 00

Telefax: +46-8 556 477 29

E-Mail: [service@dametric.se](mailto:service@dametric.se)

Website: [www.dametric.se](http://www.dametric.se)

dametric 

Valmet 