



GIR-ANT1 / GIR-ANT2



GMS Industrial Router Antenna

Description

Table of contents	Page
1 GENERAL.....	2
2 TECHNICAL DATA	2
3 DRAWING	3
4 ARTICLE NUMBER.....	4
5 CONTACT	4

1 General

The GIR-ANT1 and 2 is antennas used for the GMS Industrial Router in GMS Remote Access applications. The ANT1 unit is mounted on the top of the RMS/GMS cabinet and the 0.5 m coax cable is connected to the GIR-DM1 Router unit inside the cabinet. The GIR-ANT2 antenna is mounted on the GIR-M1 master unit box.

2 Technical data

Electrical Data

Frequency Range (MHz)	698-960 / 1710-2700	
Operational Band	700/800/900/1800/1900/2100/ 2400/2600	
Peak Realised	700 MHz	3dBi
Gain: Isotropic	800 MHz	3dBi
	900 MHz	4dBi
	1800 MHz	4dBi
	1900 MHz	5dBi
	2100 MHz	5dBi
	2400 MHz	5dBi
	2600 MHz	5dBi
VSWR	< 1.5:1	
Polarization	Vertical	
Pattern	Omnidirectable	
Imedance	50 Ω	
Max input power	30 W	

Mechanical data

Dimension	Height	82 mm
	Diameter	48mm
Temperature range	-10 to +80 °C	
Material	High impact UV Stable ABS	
Colour	Black	

Mounting data

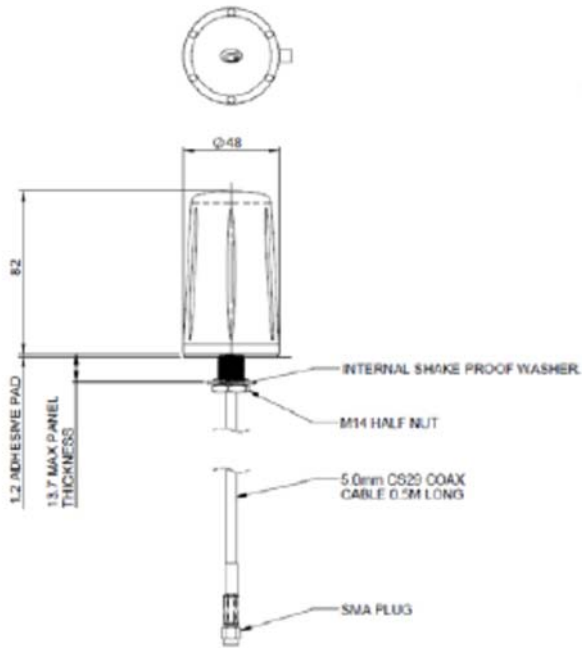
	GIR-ANT1	GIR-ANT2
Fixing	Panel mount	Wall mount
Hole diameter	14 mm	3 * 8mm
Max panel thickness	13 mm	-

Cable data

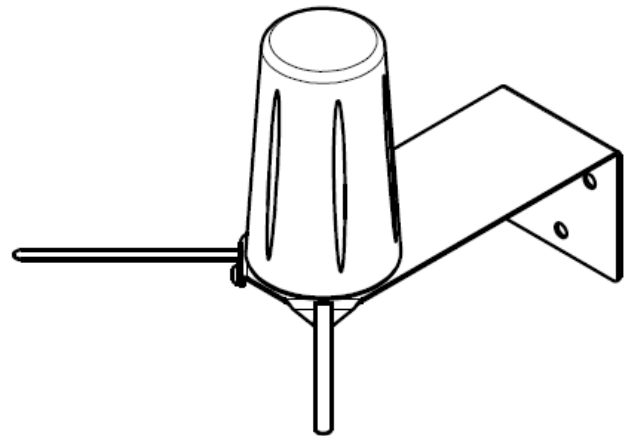
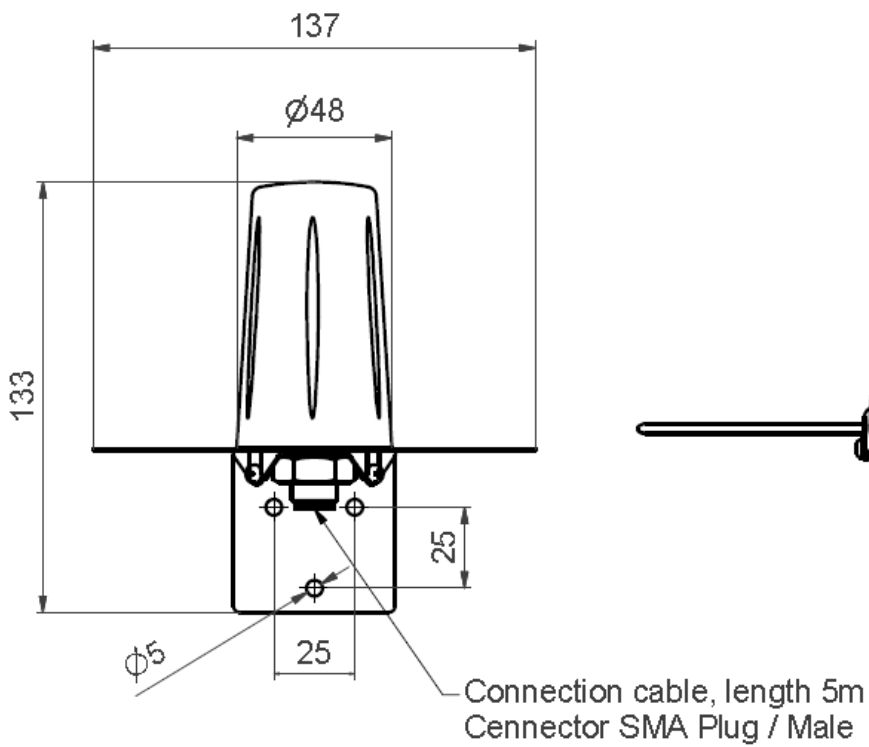
	GIR-ANT1	GIR-ANT2
Type	5mm low loss coax	5mm low loss coax
Length	0.5 m	5m
Connector	SMA Male	SMA Male

3 Drawing

GIR-ANT1



GIR-ANT2



4 Article number

<i>Dametric</i>	<i>SKC</i>	<i>Valmet</i>
GIR-ANT1	SKC2602006	VAL0366860
GIR-ANT2	SKC9994535	VAL0372641.

5 Contact

Development, production and service:

Dametric AB

Jägerhorns Väg 19, SE-141 75 Kungens Kurva, Sweden

Phone: +46-8 556 477 00

e-mail: service@dametric.se

www.dametric.se

dametric 