



GMS – AGS – CAL-Flag

GMS CE Panel-PC

Manual

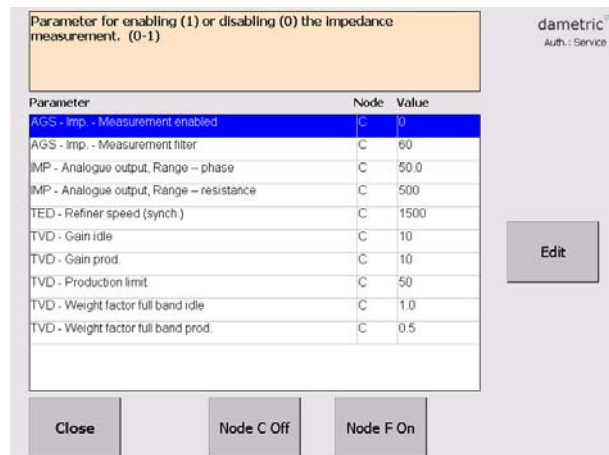


Table of contents

- 1 Overview2
- 2 Log in.....2
- 3 Contact3

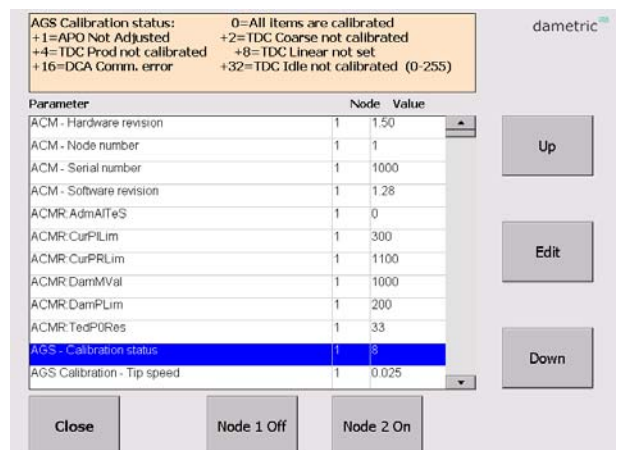
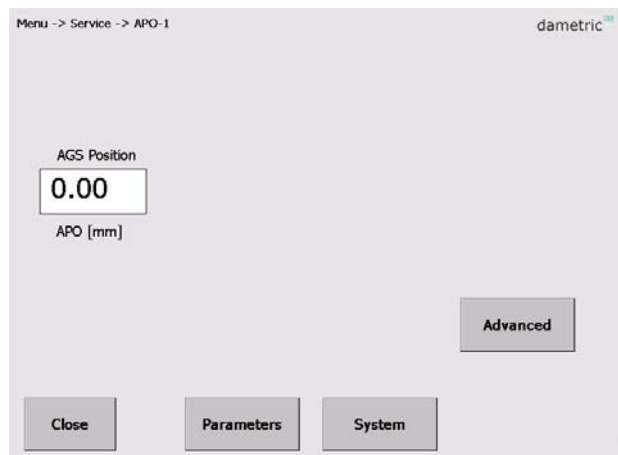
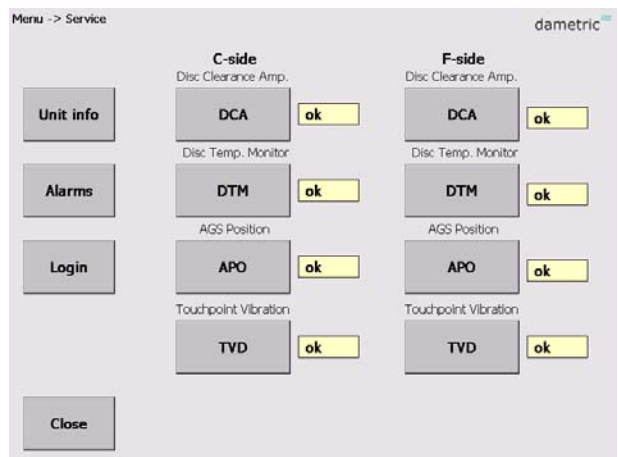
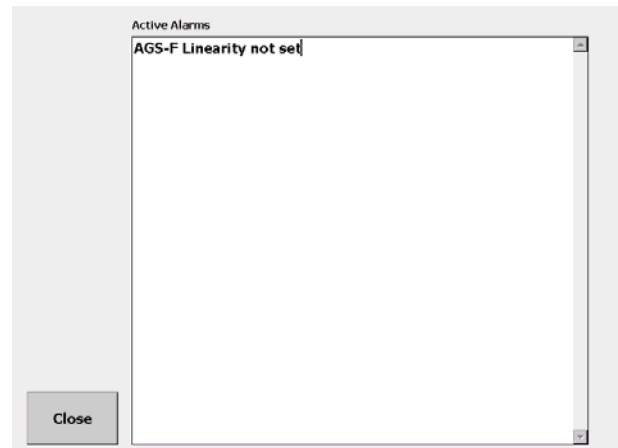
1 Overview

This manual is used to edit the calibration flags on the AGS sensor. Note the flags will affect the interlocking of the refiner so special care has to be taken before a manual change.

If the AGS sensor is calibrated properly but the “AGS-x Linearity not set” alarm exists, use this manual to clear the alarm.

2 Log in and edit

- In the normal view, press the **MENU** button.
- Press the **Login** button and dial the Administrator code (4711).
- Press the **Service** button.
- Press the **APO** button for the required side (C or F).
- Press the **System** button.
This opens a window with parameters that normally is used by the administrator only.
- Identify the “AGS – Calibration status” or “ACMR:AgsStat”.
- Tap this line (gets blue) and press the edit button.



- If the value reads “8”, dial “0” and press **OK**.
If the value is anything else, deduct “8” from the value and dial the result, press **OK**.
More flags can be set or cleared by this form and an explanation of the values is shown in the window.

AGS Calibration status: 0=All items are calibrated
+1=APO Not Adjusted +2=TDC Coarse not calibrated
+4=TDC Prod not calibrated +8=TDC Linear not set
+16=DCA Comm. error +32=TDC Idle not calibrated (0-255)

dametric

Edit parameter : AgsStat Node1 (8)

0

1 2 3

<-- 4 5 6

Clear 7 8 9

Cancel OK - 0 .

- Press **Close**, **Logout** and check the alarm form. The alarm should now be cleared.

3 Contact

Development, production and service:

Dametric AB

Jägerhorns Väg 19, SE-141 75 Kungens Kurva, Sweden

Phone: +46-8 556 477 00 Telefax: +46-8 556 477 29

E-mail: service@dametric.se Homepage: www.dametric.se

