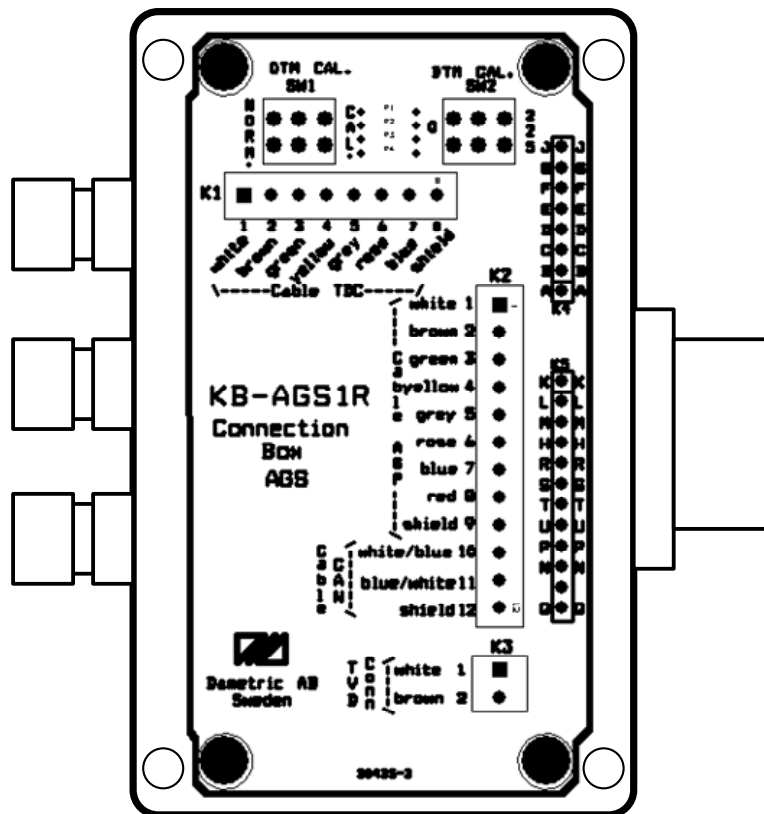


dametric 

KB-AGS1R



CABLE BOX FOR THE AGS-SENSOR DESCRIPTION



CONTENT	page
1 GENERAL	2
2 ELECTRICAL SPECIFICATION	2
3 VALMET ARTICLE NO.:	2
4 CALIBRATION OF THE DTM FUNCTION	3
5 CONNECTION DIAGRAM	3
6 OUTLINE DRAWING	4
1.1 Required space	4
1.2 Mounting holes.....	4
7 CONTACT	4

1 GENERAL

The cable box unit is used to joint the fixed cabling from the electronic panel, to the detachable cable to the AGS sensor. The fixed cables are connected to screw connectors, while the detachable cable is connected to a connector.

The printed board inside the cover includes two switches and some high precision resistors which are used for the calibration of the DTM-function (Disc Temperature Monitor).

The box are mounted on the refiner stand with 4 screws, M4 * 20mm.

2 ELECTRICAL SPECIFICATION

Enclosure:	Material: Die-cast aluminium, GD Al Si 12 / DIN1725 Coating: Standard powder coated silky grey RAL 7032 Size: 150*10*80 mm Ingress protection: IP66 / EN 60529 Lid screws: Stainless steel Gasket: Oil and petrol resistant, -30 ... +100°C
Connectors:	19-pole type C-5015 connector for cable K-AGS1/K-AGS3 4-pole connector with bayonet for cable K-TVDS25
Cable bushings:	K-TDC25: PR 13,5 for 5-12mm cable K-AGP25: PR 13,5 for 5-12mm cable K-CAN1P25: PR 9 for 3-8 mm cable
DTM calibration:	Switch 1: "Norm" and "Cal" Switch 2: "0" and "225" (Zero and Span) Zero resistor value: $100.75 \pm 0.25 \Omega$ Span resistor value: $185.75 \pm 0.25 \Omega$
Cable connection:	Screw connectors, Nominal current: 17A, Rated voltage: 250V, Nominal cross section: 2.5mm ²

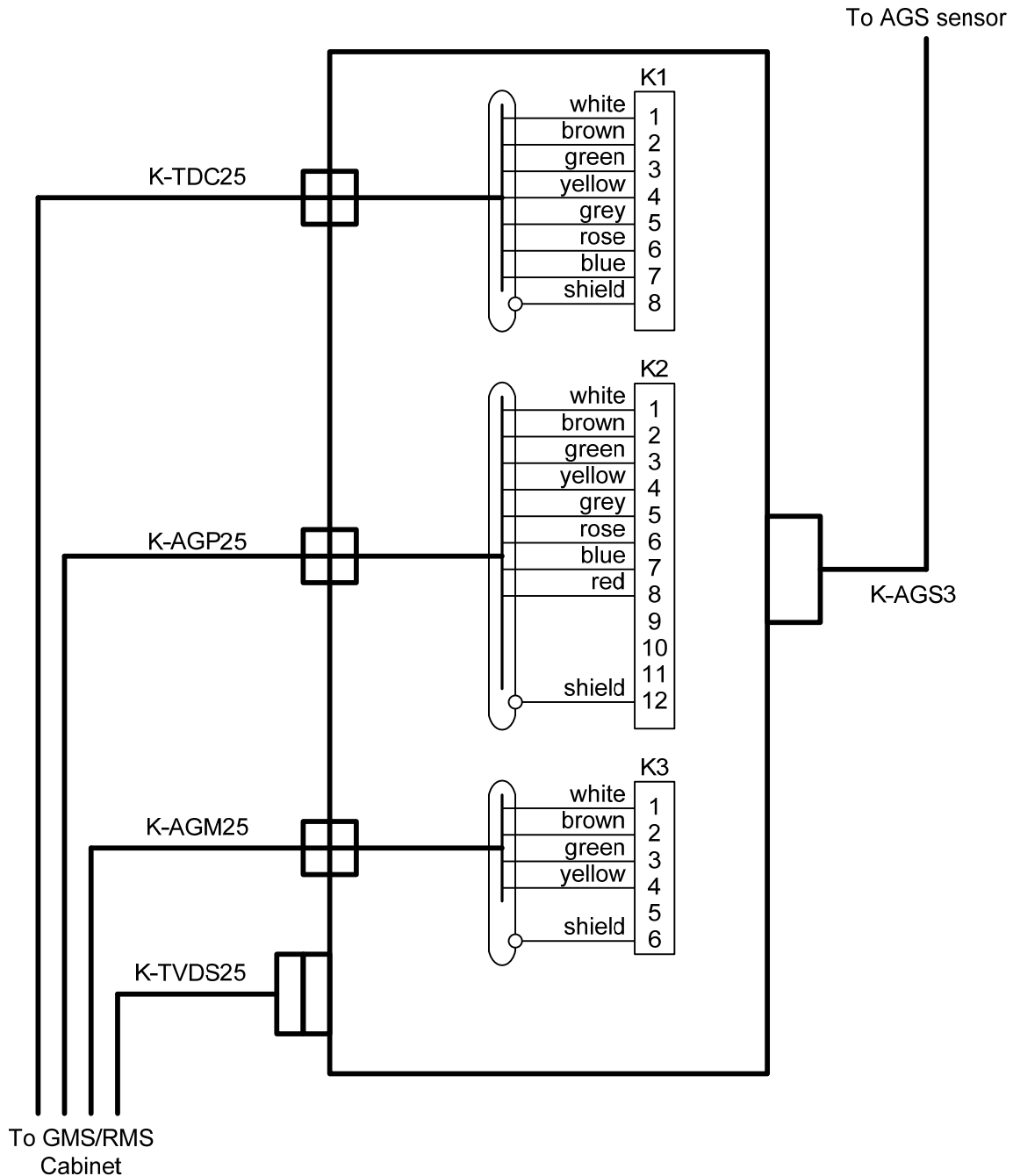
3 VALMET ARTICLE NO

VAL0196736.

4 CALIBRATION OF THE DTM FUNCTION

The DTM function is calibrated in the box to reduce the influence of the installed cable lengths. Two switches are used and the calibration procedure is described in the system manual. The SW1-switch should normally be in the "NORM" position and SW2 in the "0" position.

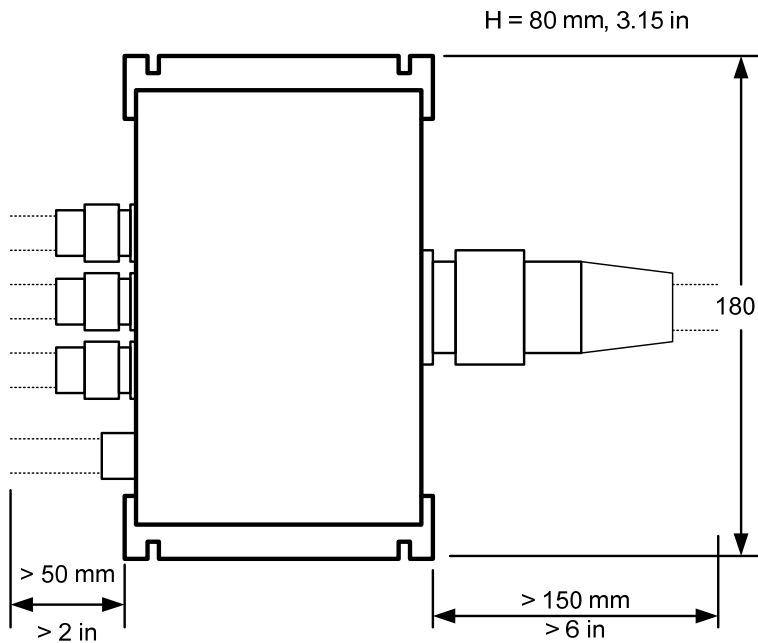
5 CONNECTION DIAGRAM



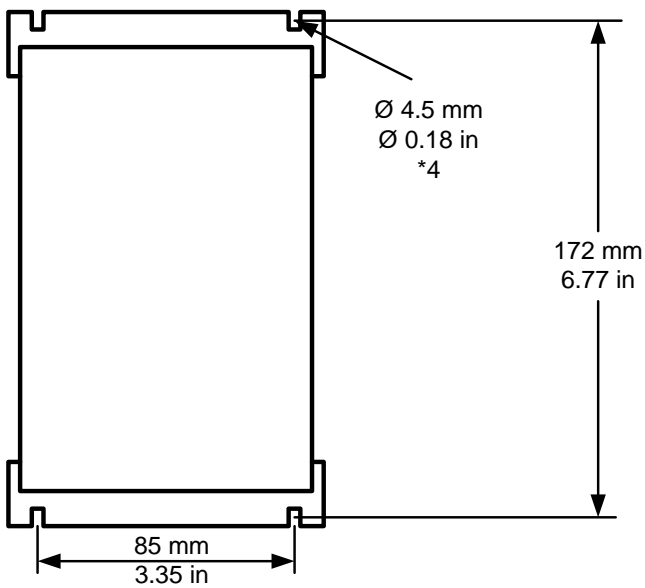
The K-AGS3 is a detachable cable to the AGS sensor. K-TVDS25 cable is plugged into a bayonet connector (only RMS system). The outer shield in the K-TDC25 cable is connected to the ground screw. The others are fixed cabling to the Refiner panel and connected into the screw connectors.

6 OUTLINE DRAWING

1.1 Required space



1.2 Mounting holes



7 CONTACT

Sales, development, production and service:

Dametric AB

Jägerhorns Väg 19, SE-141 75 Kungens Kurva, Sweden

Phone: +46-8 556 477 00

E-Mail: ags@dametric.se

Telefax: +46-8 556 477 29

Website: www.dametric.se

dametric 

Valmet 