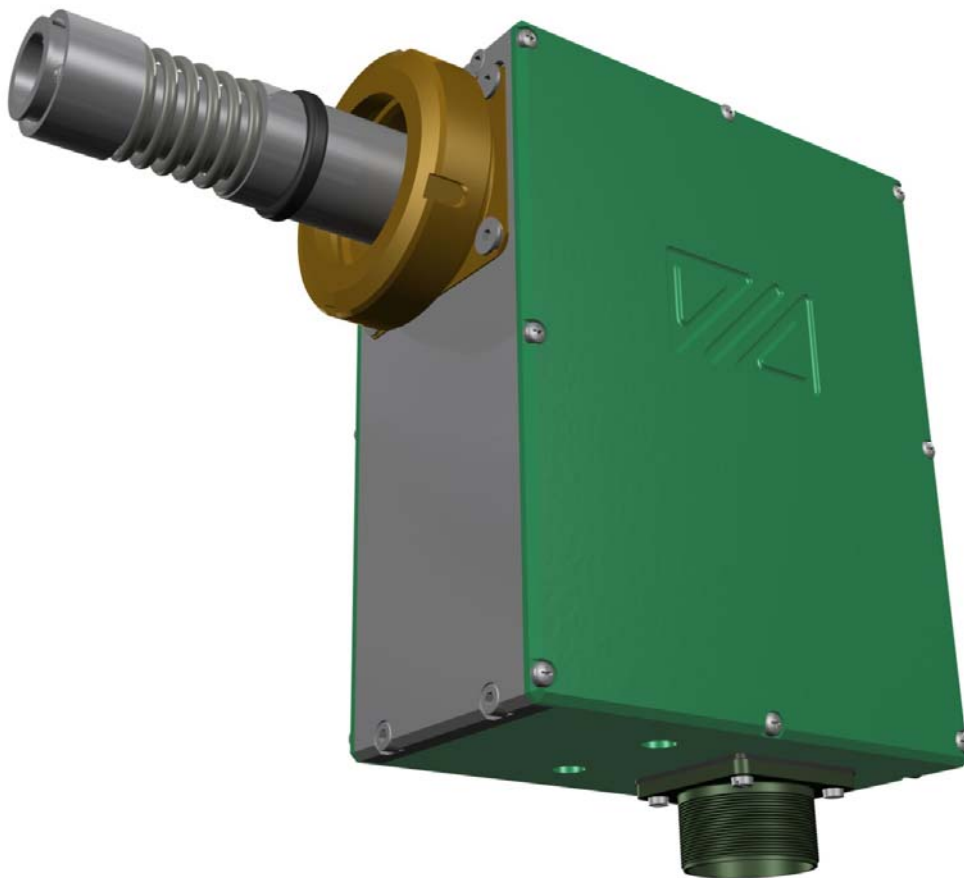


dametric 

AGD-HM3

MANUAL



HOUSE PART OF THE AGS SENSOR



CONTENT

1	GENERAL.....	2
2	ELECTRICAL CONNECTIONS	2
3	MECHANICAL FITTINGS	2
4	OUTLINE DRAWING	3
5	VALMET PART NO.....	3
6	CONTACT.....	3

1 GENERAL

The house part is the main part of an AGS sensor. The house is complemented with a holder to adapt to a specific refiner type and a measuring tip, which includes the TDC sensor.

2 ELECTRICAL CONNECTIONS

The AGS house module is electrically connected to an ACM electronic module (ACM = AGS Control Module). This module is placed in the refiner electrical panel.

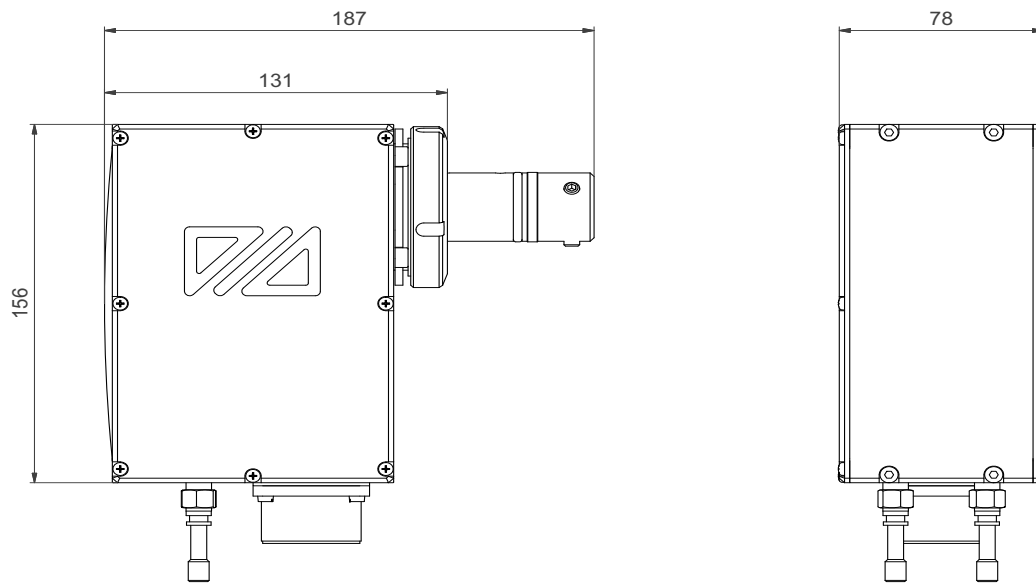
3 MECHANICAL FITTINGS

The sensor tip is fitted to the AGS house by a special bayonet device. This device will automatically eject or attach the sensor tip by commands from the control software.

The holder is also attached to the house and locked by a locking nut. The nut can be loosened to enable that the holder can be turned without turning the house.

The sensor tip and the holder are made in several designs to fit all refiners in the market.

4 OUTLINE DRAWING



5 VALMET PART NO.

Valmet part no.: VAL0293777

6 CONTACT

Development, production and service:

Dametric AB

Jägerhorns väg 19, SE-141 75 Kungens Kurva, Sweden

Phone: +46 (0)8-556 477 00 Fax: +46 (0)8-556 477 29

E-mail: service@dametric.se Website: www.dametric.se

dametric 

Valmet 