

AGS-SP-S2KS-SK

SEGMENT HOLE ADAPTER TO AGS-S2KS SEGMENT



DESCRIPTION

dametric 

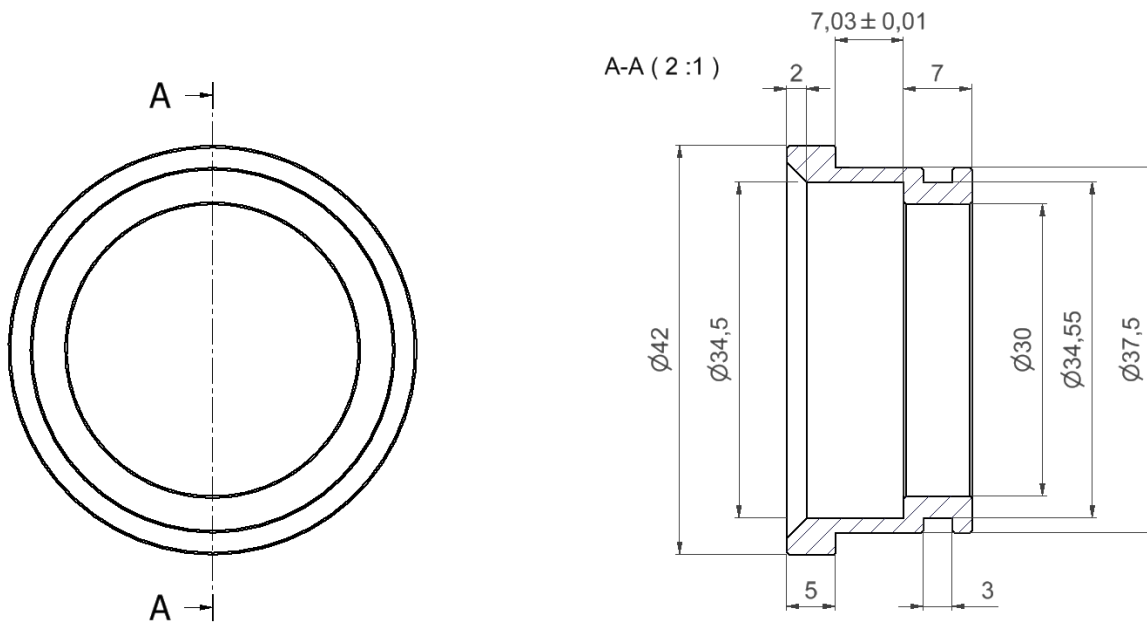
1 GENERAL

This adapter is used to convert a 30 mm cut out to a 23mm distance for the AGS-XP-Sxxx type measurement tip.

2 INSTALLATION

- Clean the hole from grease and dirt.
- Mount the adaptor from the backside and press fully in.
- The AGS sensor must be compensated so the tip is flush with the stator plates.

3 OUTLINE DRAWING



4 CONTACT

Development, production and service:

Dametric AB

Jägerhorns Väg 19, 141 75 Kungens Kurva, Sweden

Phone: +46-8-556 477 00

Telefax: +46-8-556 477 29

E-mail: dametric@dametric.se

Webpage: www.dametric.se

dametric 