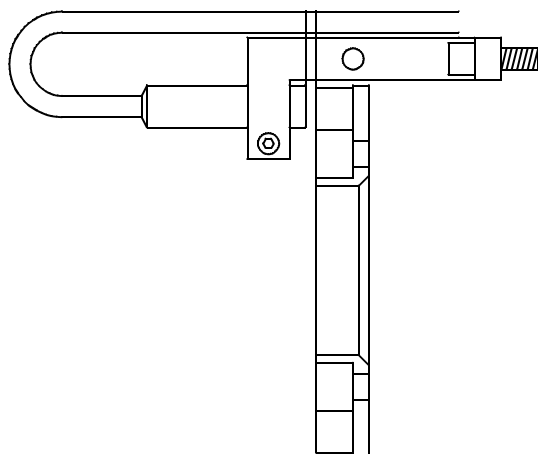




# AT-03

---

8900353



ANGULAR TRANSDUCER  
TO RGP-A  
USERS MANUAL



**CONTENTS:**

- 1. TECHNICAL SPECIFICATION**
- 2. SPARE PART LIST**
- 3. MOUNTING INSTRUCTION**
- 4. ADJUSTMENT INSTRUCTION**
- 5. CONNECTING INSTRUCTION**

---

**1. TECHNICAL SPECIFICATION**

APPLICATION:	Angular measurement of the control shaft for the hydraulic valve.
TRANSDUCER:	Inductive, diameter=8mm, length=30mm
SENSING DISTANCE:	1.5 mm (max)
NOMINAL DISTANCE:	0.7 +/- 0.2 mm
CONNECTION:	1.5 m 3-part cable to be connected to the connection box, KB-01

---

**2. SPARE PART LIST**

D/A-NO.	SKC NO.	DESCRIPTION
IG-8		INDUCTIVE TRANSDUCER
AT3-IND		INDEX WHEEL
AT3-HLL		HOLDER

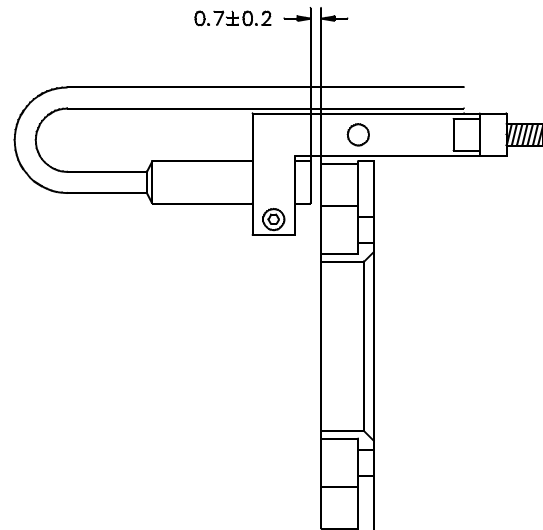
## 3.

**MOUNTING INSTRUCTION**

- Mount the index wheel, AT3-IND, on the grease cage. Use stainless bolt, MC6S \*35. Lock the bolts.
- Mount the holder, AT3-HLL, with 2 stainless bolts, MC6S 4\*15. Lock the bolts.

4. **ADJUSTMENT INSTRUCTION**

- Adjust the transducer in the holder until the distance between the sensing surface and the upper edge of the index wheel is  $0.7 \pm 0.2$  mm.

5. **CONNECTING INSTRUCTION**

- Connect the transducer to the connection block in the connection box, KB-01, according to figure below.

