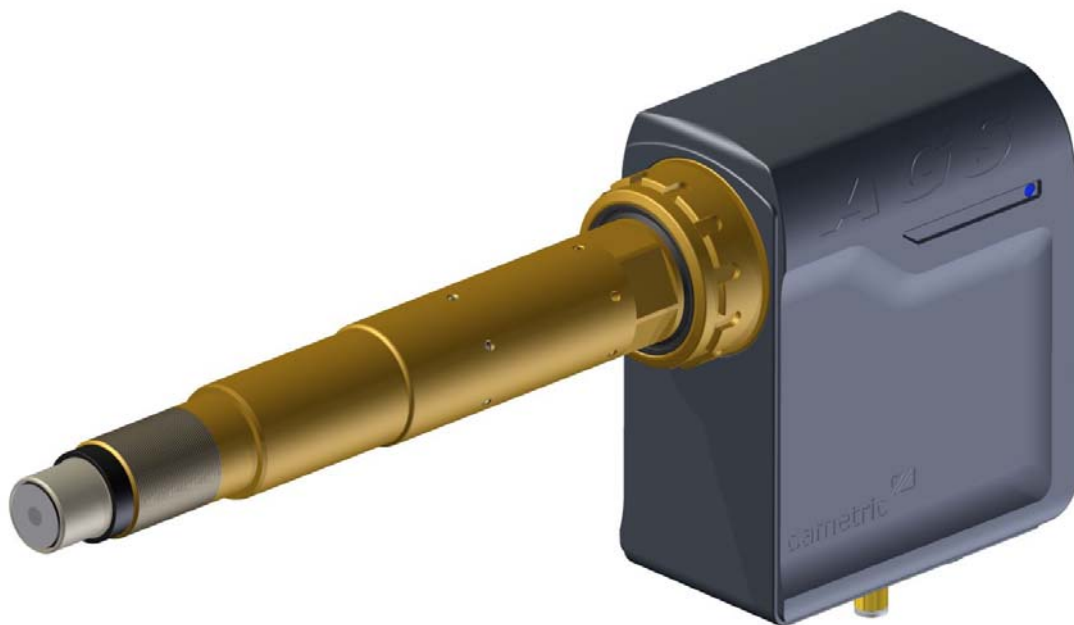


dametric 

AGS-Sensor



DESCRIPTION

**ADJUSTABLE GAP SENSOR
FOR VALMET REFINERS**



CONTENT

1	GENERAL	2
2	ELECTRICAL CONNECTIONS	3
3	MODEL DESIGNATION AND VALMET PART NUMBER	3
4	SPECIFICATIONS	3
5	SPARE PART LIST	4
6	WEAR LIMIT INDICATOR	4
7	OUTLINE DRAWING	5
7.1	AGS house, AGD-HM3.....	5
7.2	AGS-house, AGS-HM-H4	5
7.3	AGS-200 / AGS-200S.....	6
7.4	AGS-CFS.....	6
7.5	AGS-I76 / AGS-I76S	6
7.6	AGS-IZ / AGS-IZS	7
7.7	AGS-IZG / AGS-IZGS.....	7
7.8	AGS-O76 / AGS-O76S	7
7.9	AGS-OZGS.....	8
7.10	AGS-SD65.....	8
8	CONTACTS	8

1 GENERAL

The AGS (Adjustable Gap Sensor) is a gap sensor where the measuring tip can be moved axially. The movement of the tip enables a complete automatic calibration during full production in the refiner.

The sensor is based on three main parts; a house, a holder and a measuring tip.

The house includes a mechanical adjustment device, an electrical stepping motor, an axial position sensor and a sensor for the touch point vibration. The house can either be a AGD-HM3 which has a cover made of aluminium plates or a AGS-HM-H4 which is made of casted polyester resin. The later model is delivered after March 2010.

The holder is a mechanical adaptor between the house and measuring tip to the mechanical dimensions of the TDC-hole in the refiner stator plate. The AGS sensor has the same mechanical dimensions in the tip end as the corresponding TDC-sensor so they are interchangeable.

The tip is a wear part and will wear as the segment plates are worn down. It is replaced periodically by the mill service personnel.

2 ELECTRICAL CONNECTIONS

The AGS sensor is electrically connected to a connection box, KB-AGS1R, mounted on the refiner stand.

3 MODEL DESIGNATION AND VALMET PART NUMBER

<i>Refiner-type</i>		<i>Dametric art.no.</i>	<i>Valmet art. no</i>
<i>Single disc refiners</i>			
RGP-2XX		AGS-200	VAL0230429
RGP-2XX	or	AGS-200S	VAL0344365
RGP-CF82 ConFlo, RF5 Optifiner		AGS-CFS	VAL0322415
RGP-60		AGS-IZ	VAL0219212
RGP-60		AGS-IZS	VAL0339428
SD65		AGS-SD65	VAL0293941
<i>CD refiners, flat-zone</i>			
RGP-CD70		AGS-IZGS	VAL0323748
RGP-CD76, RGP-CD82		AGS-I76	VAL0196804
RGP-CD76, RGP-CD82	or	AGS-I76S	VAL0320983
RGP-CD76X		AGS-IZG	VAL0230428
RGP-CD76X	or	AGS-IZGS	VAL0323748
<i>CD refiners, CD-zone</i>			
RGP-CD70		AGS-OZGS	VAL0323749
RGP-CD76, RGP-CD76X, RGP-CD82		AGS-O76	VAL0196806
RGP-CD76, RGP-CD76X, RGP-CD82	or	AGS-O76S	VAL0320984

4 SPECIFICATIONS

Dimensions:	See outline drawing.
Weight:	app. 7 kg
House material:	AGD-HM3: Painted aluminium / Stainless steel AGS-HM-H4: Polyester resin / Stainless steel
Holder material:	Stainless steel / Bronze
Sensor tip material:	Stainless steel.
House temperature range:	0 – 70 °C
Tip temperature range:	0 – 225 °C
Wear range:	2.5 to 3.0 mm (see item WEAR LIMIT INDICATOR).
Connector:	19 pole MIL-C-5015 with aluminium case.
Tip adjustment range:	± 2.50 mm.

5 SPARE PART LIST

<i>Part</i>	<i>AGS sensor</i>	<i>Dametric part no.</i>	<i>Valmet part no.</i>	
House:	All models:	AGD-HM3	VAL0293777	
		AGS-HM-H4	VAL0320980	
Holder:	AGS-200:	AGS-SP-200-H	VAL0243456	
	AGS-200S:	AGS-SP-200S-H	VAL0341687	
	AGS-CFS:	AGS-SP-CFS-H	VAL0322416	
	AGS-I76:	AGS-SP-I76-H	VAL0196739	
	AGS-I7S6:	AGS-SP-I76S-H	VAL0320617	
	AGS-IZ:	AGS-SP-IZ-H	VAL0243455	
	AGS-IZS:	AGS-SP-IZS-H	VAL0339432	
	AGS-IZG:	AGS-SP-IZG-H	VAL0243450	
	AGS-IZGS:	AGS-SP-IZGS-H	VAL0323745	
	AGS-O76:	AGS-SP-O76-H	VAL0196742	
	AGS-O76S:	AGS-SP-O76S-H	VAL0320616	
	AGS-OZGS:	AGS-SP-OZGS-H	VAL0323746	
	AGS-SD65:	AGS-SP-SD65-H	VAL0293942	
	Sensor tip:	AGS-200:	AGS-XP-360	VAL0224432
		AGS-200S:	AGS-XP-S360	VAL0320681
AGS-CFS:		AGS-XP-S270	VAL0296313	
AGS-I76:		AGS-XP-460	VAL0224434	
AGS-I76S:		AGS-XP-S460	VAL0320682	
AGS-IZ:		AGS-XP-430	VAL0220452	
AGS-IZS:		AGS-XP-S430	VAL0323747	
AGS-IZG:		AGS-XP-430	VAL0220452	
AGS-IZGS:		AGS-XP-S430	VAL0323747	
AGS-O76:		AGS-XP-360	VAL0224432	
AGS-O76S:		AGS-XP-S360	VAL0320681	
AGS-OZGS:		AGS-XP-S270	VAL0296313	
AGS-SD65:		AGS-XP-S270	VAL0296313	
Holder seal		AGS-200:	SHAMBAN-43	SKC9225398
		AGS-200S:	SHAMBAN-43	SKC9225398
	AGS-IZ:	SHAMBAN	VAL0102307 / M-604910	
	AGS-IZS:	SHAMBAN	VAL0102307 / M-604910	
	AGS-SD65:	SHAMBAN	VAL0102307 / M-604910	

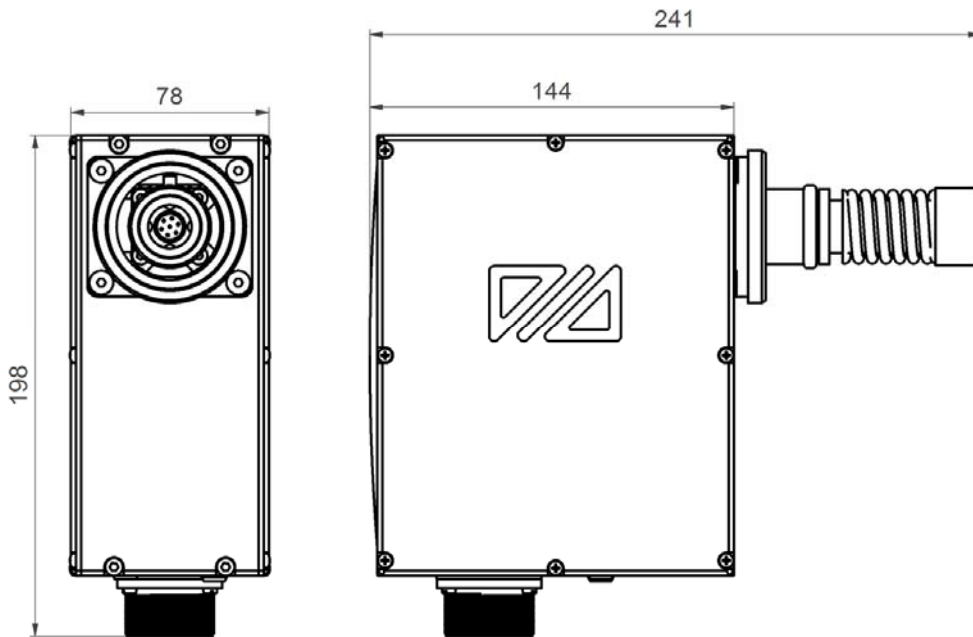
6 WEAR LIMIT INDICATOR

It is important that the sensor is not worn beyond the indicator marked in drawing below. Note that this is after the estimated plate life. A sensor worn beyond this point may result in a segment crash and furthermore affect the refiner security.

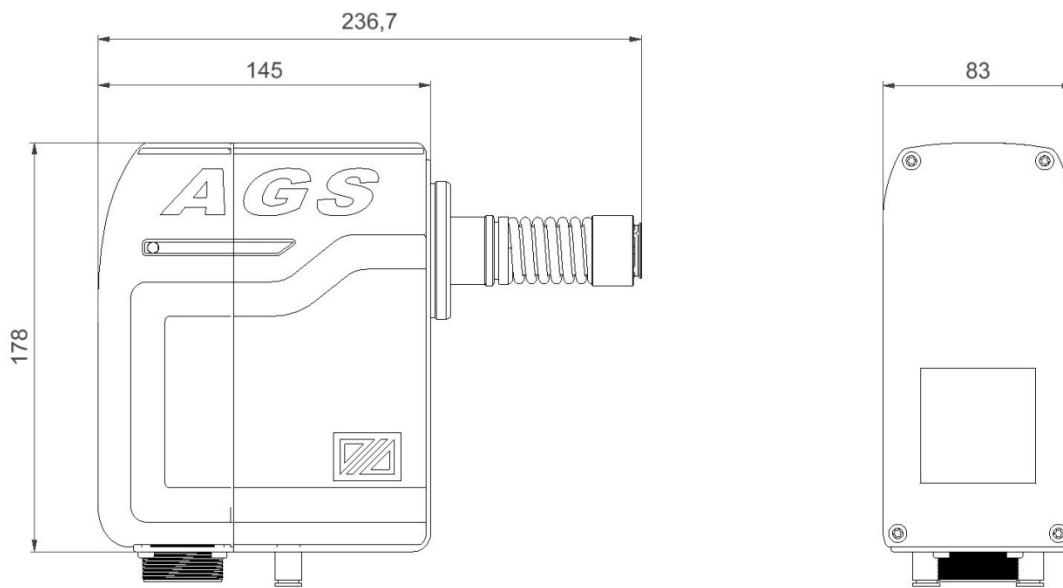


7 OUTLINE DRAWING

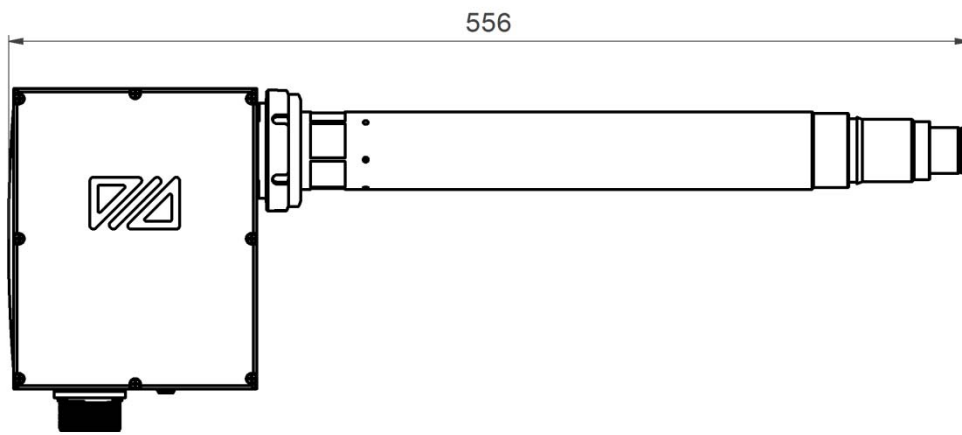
7.1 AGS house, AGD-HM3



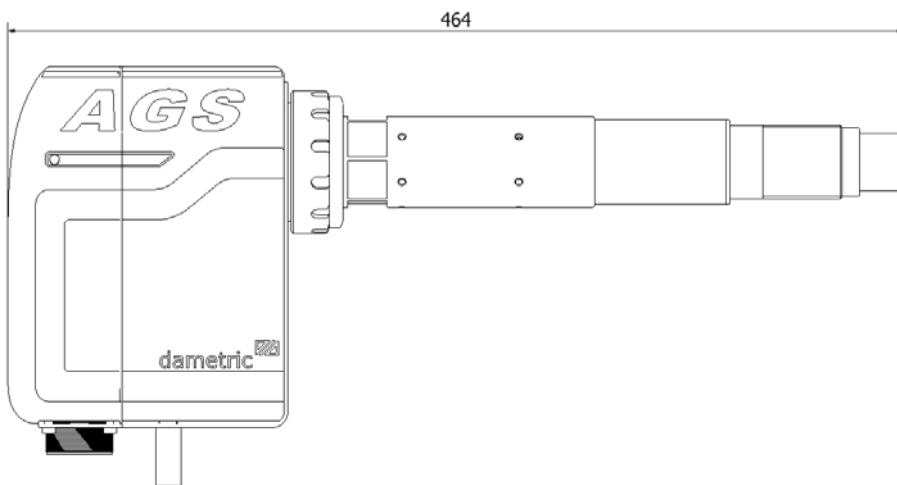
7.2 AGS-house, AGS-HM-H4



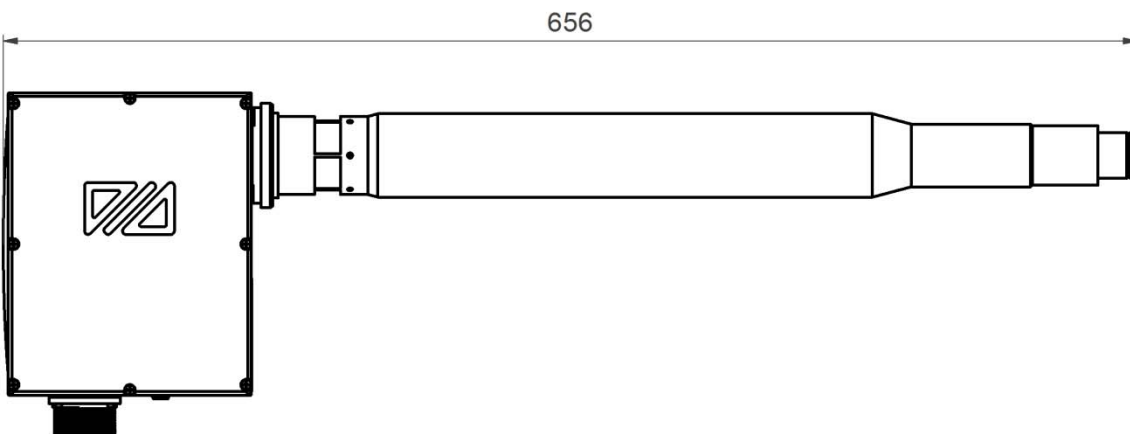
7.3 AGS-200 / AGS-200S



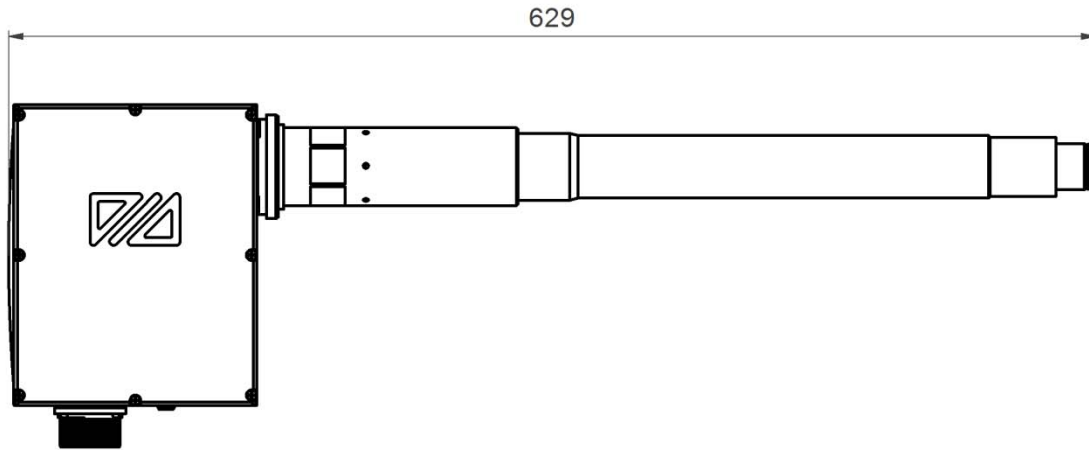
7.4 AGS-CFS



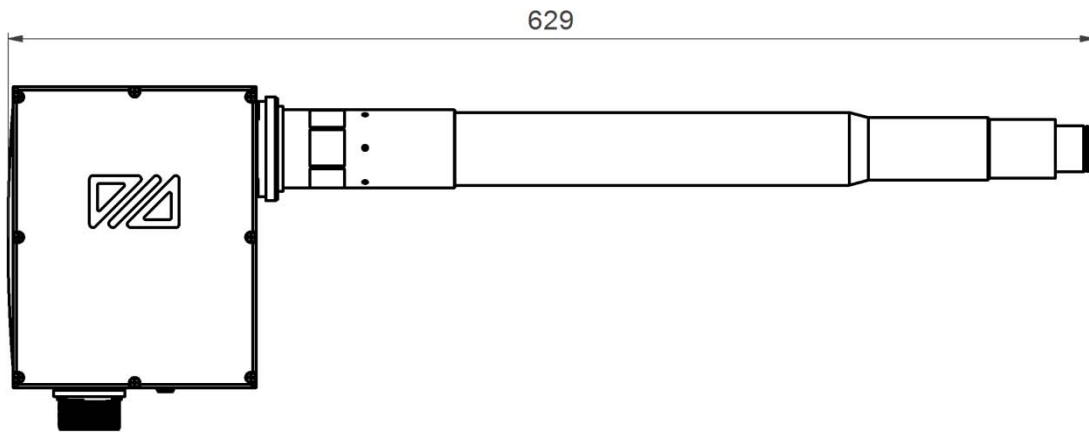
7.5 AGS-I76 / AGS-I76S



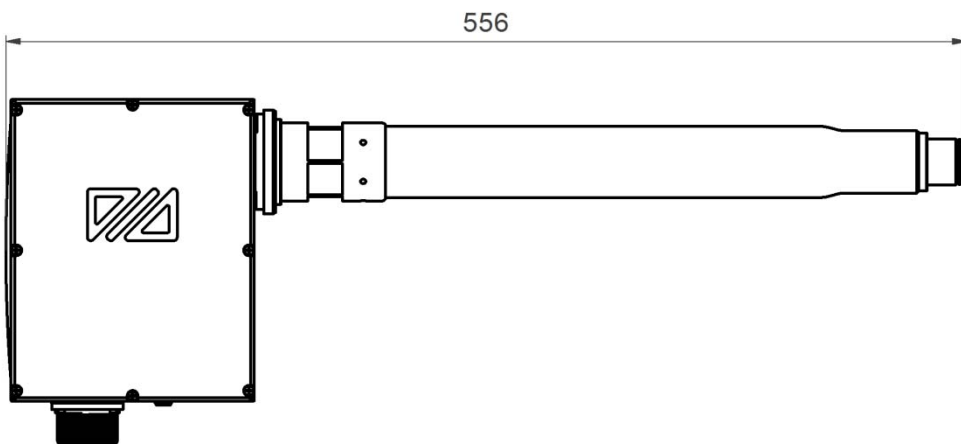
7.6 AGS-IZ / AGS-IZS



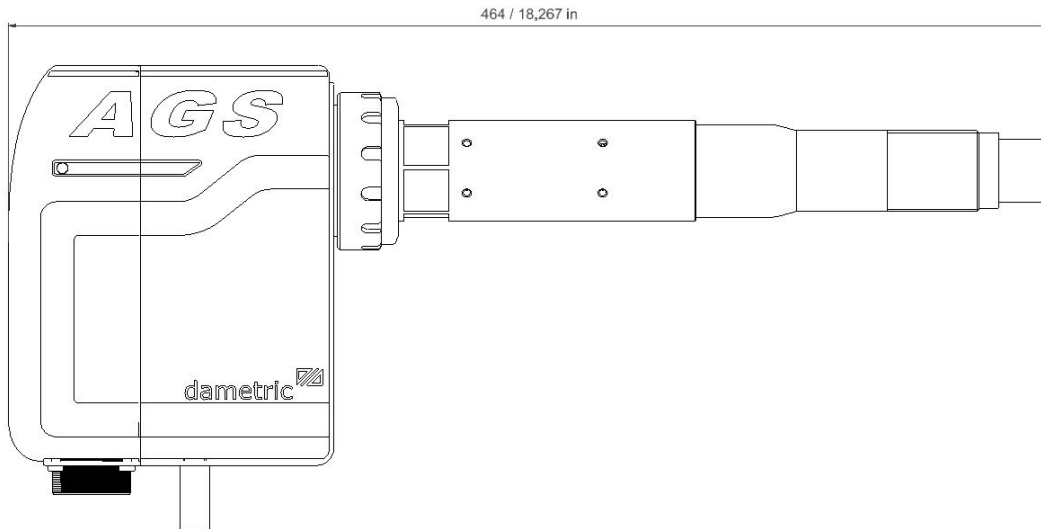
7.7 AGS-IZG / AGS-IZGS



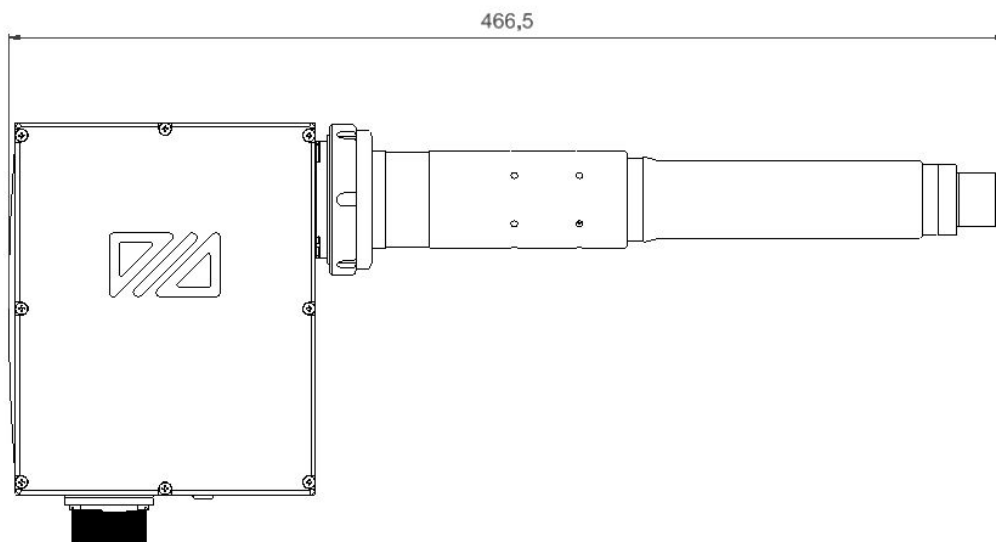
7.8 AGS-O76 / AGS-O76S



7.9 AGS-OZGS



7.10 AGS-SD65



8 CONTACTS

Sales, development, production and service:

Dametric AB

Jägerhorns Väg 19, 141 75 Kungens Kurva, Sweden

Phone: +46-8 556 477 00

Telefax: +46-8 556 477 29

e-mail: service@dametric.se

Web site: www.dametric.se

dametric 

Valmet 