

AGS-SH1

AGS Service Holder

DESCRIPTION



SERVICE HOLDER FOR THE AGS SENSOR

1 GENERAL

The AGS-SH1 service holder is used to hold the AGS-house when the tip and AGS-holder is removed. The cable can also be seated when disconnected from the AGS house.

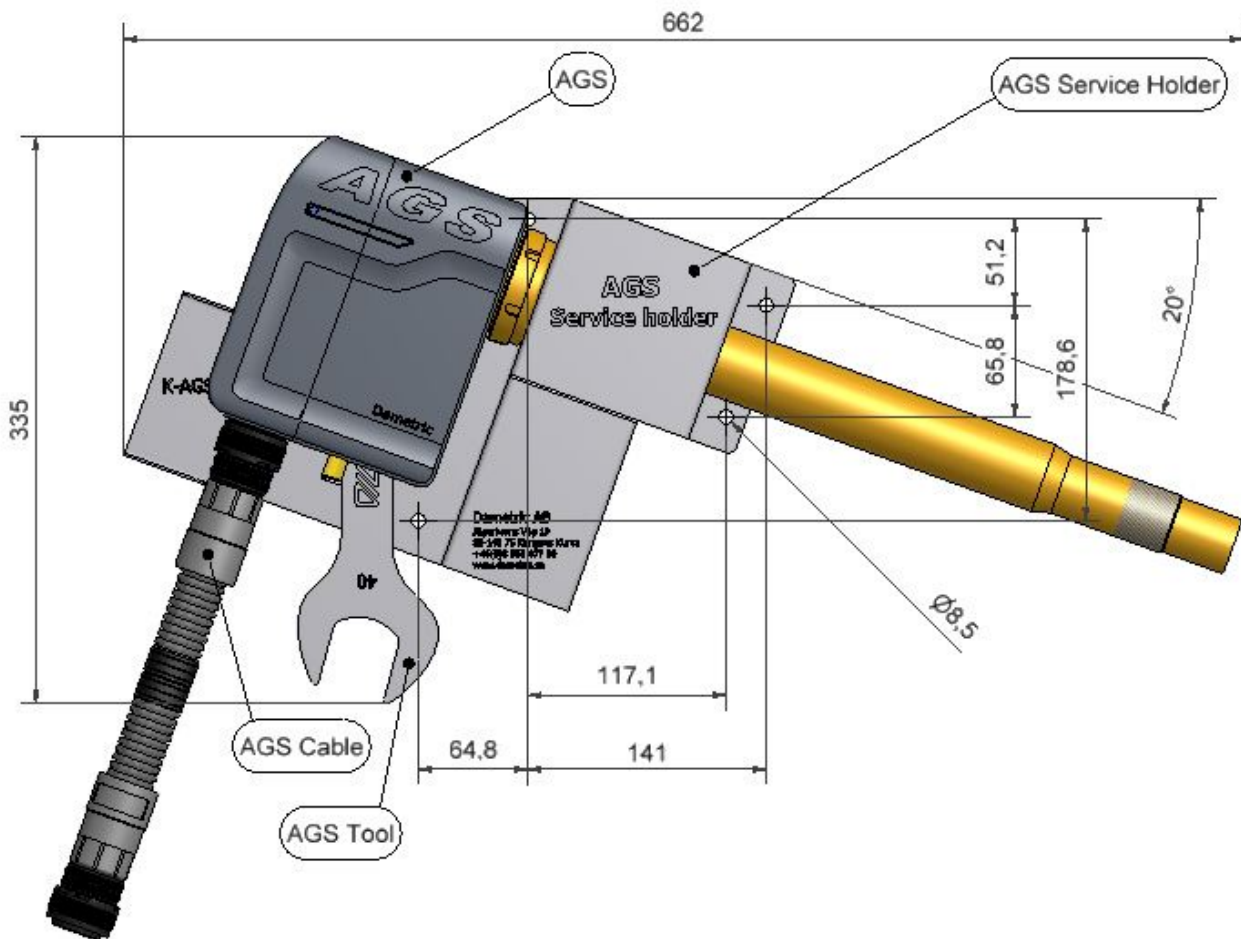
Mount the holder close to normal operational position of the AGS sensor.

A protective cover should be mounted over the holder to prevent cleaning water and other dirt to reach the sensor.

2 MOUNTING

Use the four mounting holes or weld the holder to a suitable position. Note that the holder should be angled about 20 ° so only the top edge is horizontal. The angle will prevent dirt to reach the AGS house when the tip is removed.

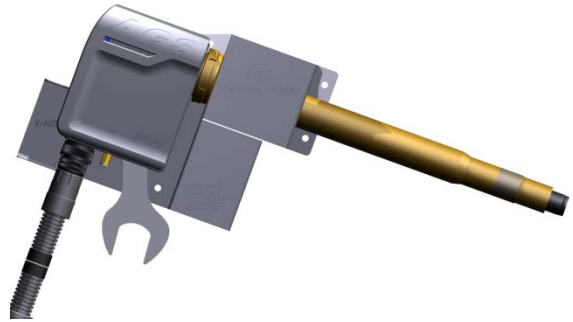
Note that the overall length (662 mm in the drawing) will vary depending of AGS sensor type. The AGS in the drawing is the AGS-IZ.



Dimensions in mm.

3 FIELD OF APPLICATION

A complete AGS-sensor.



The holder is removed from the house.



A disconnected cable



4 TECHNICAL SPECIFICATION

Material: 308L Stainless steel, 1.5mm
Metso part no.: VAL0296266
Weight: 1.1 kg

5 CONTACTS

Development, production and service:

Dametric AB

Jägerhorns Väg 19, SE-141 75 Kungens Kurva, Sweden
Phone: +46-8 556 477 00 Telefax: +46-8 556 477 29
e-mail: dametric@dametric.se www.dametric.se

dametric 